

Meroblock and M-Blockcare *move*



Meroblock the high-quality all-round system

- Application areas: Front wall, brick/dry construction, Front wall installation
- All common standards are complied with, e.g. DIN 52219/4109
- Fire safety F90
- Barrier-free construction

M-Blockcare *move* for barrier-free facilities

All toilets compatible with Duravit Sensowash® C

Geberit flush-mounted cisterns
Compatible with Geberit AquaClean

General information

for tendering

Scope of the tender:

- Always write out final installation parts separately unless specifically included!
- Write out other flooring installations separately!
- Write out other waste water fittings separately!

System accessories:

- Noise protection cages for waste water pipes connected to the down pipe
- Floor connection plates for screed and wet room insulation
- Foot brace for free-standing load
- Flush plates for flush-mounted cistern Burda

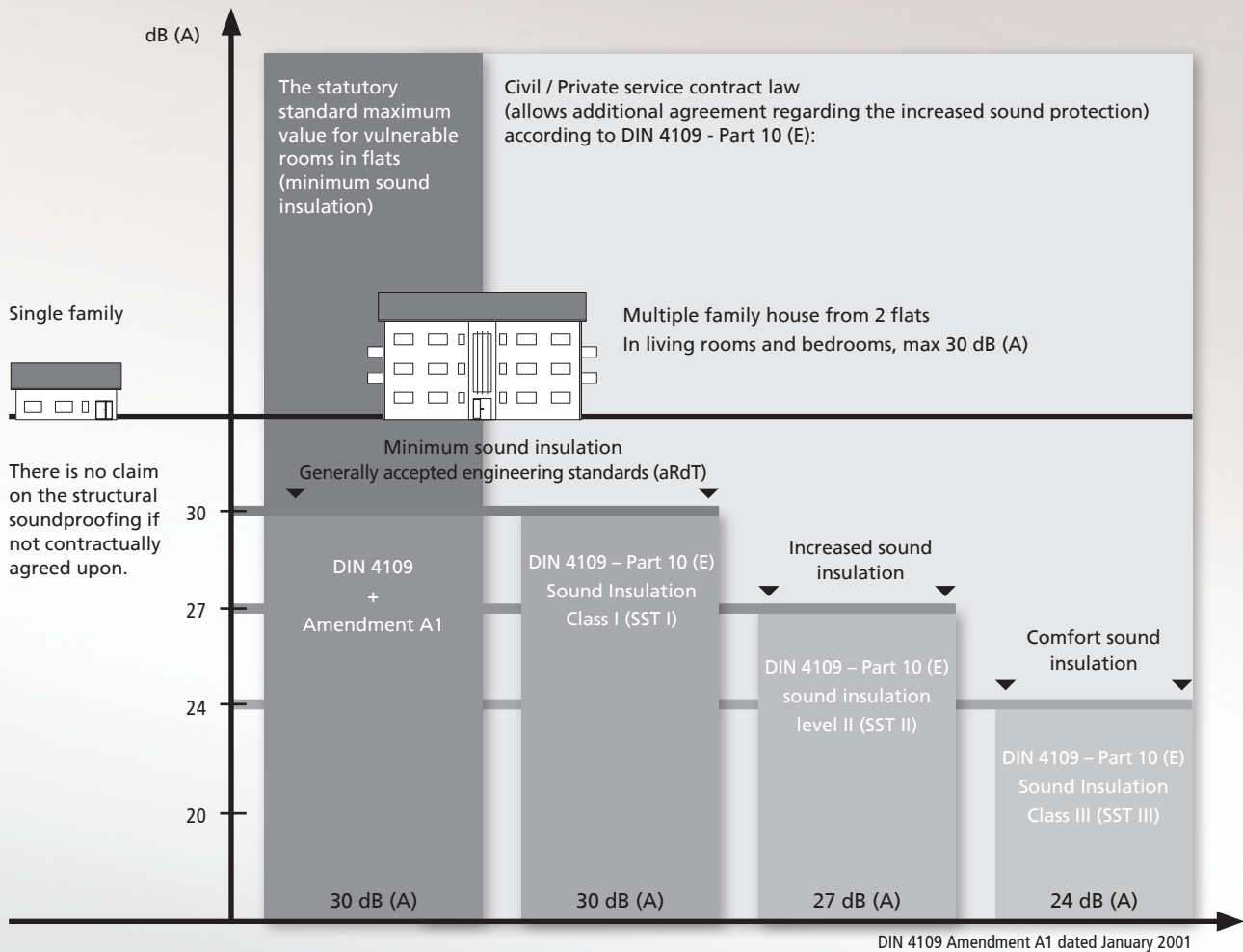
... For this, see the tender texts under the item Accessories.

We reserve the right to make technical changes.

General information

Sound insulation - Legal framework

The legal basis for the observance of sound levels pertaining to technical building systems (installation noise) is specified in DIN 4109. Accordingly, a minimum sound insulation of 30 dB (A) is generally applicable for sound-protected interiors such as living rooms and bedrooms. This value must be adhered to in every case. In addition, lower sound levels can be contractually agreed upon.



Type of vulnerable rooms		
Source of noise	Living and bedrooms	Teaching and working rooms
	Characteristics of the sound pressure level dB (A)	
Water facilities (water supply and sewage systems together)	≤ 30 dB	≤ 35 dB

Table (detail) - Values for the permissible sound pressure level of noise from technical building installations in sound-protected rooms

General information

Sound protection - Implementation in practice

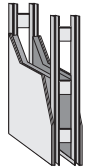
The acoustic outcome of all works in the installation depends on various factors. Below you will find some valuable tips to check at the construction site, which are often ignored or are not met. The fitter often has to deal with inappropriate conditions particularly in terms of the wall quality which he should examine technically and for legal liability.



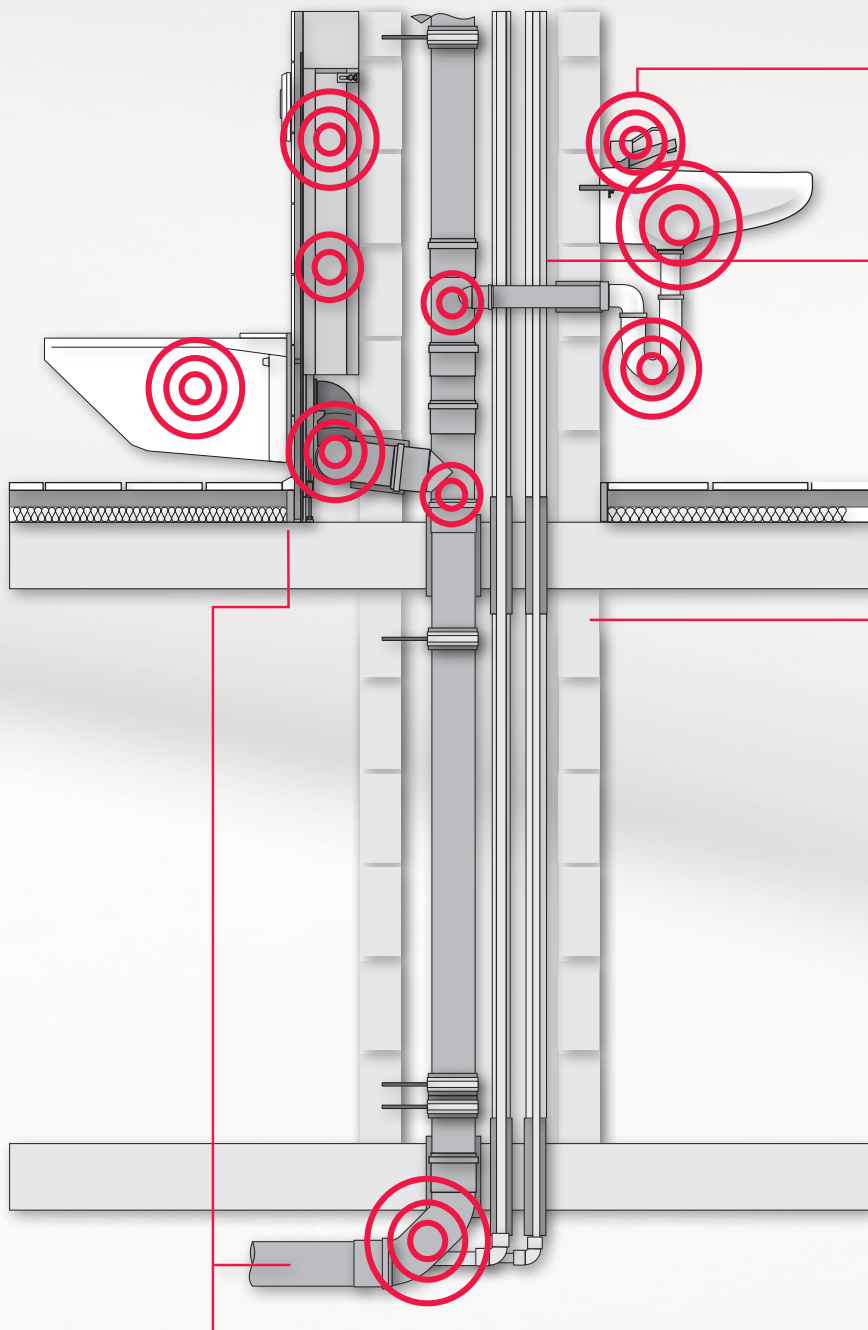
220 kg/m²
Wall thickness
17.5 cm



180 kg/m²
Wall thickness
11.5 cm



Metal stud wall
only with
Certificate of suitability



Install only tested and marked fittings!
The individual, installed fittings and appliances must be tested and marked in terms of their fittings noise level and associated fittings noise class.

For pressures more than 5 bars, use a pressure reducer!
In order to prevent flow noise, the resting pressure from floor distribution must not be more than 5 bars.

Observe dimensioning,
Always open shut-off valves in operation!
The actual flow must not be higher than the flow based on which the classification is made.
Accordingly, the spout devices such as shower heads or jet regulators must not belong to any higher flow group than the fitting itself. Passage fittings must not be used for throttling.

Appropriate suitability certificates must be available for all walls whose mass per unit area is less than 220 kg/mm².
The mass per unit area of a single-leaf wall, which should be mounted on or in the fittings or water installations including waste water, must be at least 220 kg/m² according to DIN 4109. For lighter solid and dry walls, an acoustic suitability certificate according to DIN 4109 is always required.

Fittings of the fittings group II should not be mounted on walls that border rooms requiring protection on the same floor or in the floors above or below.

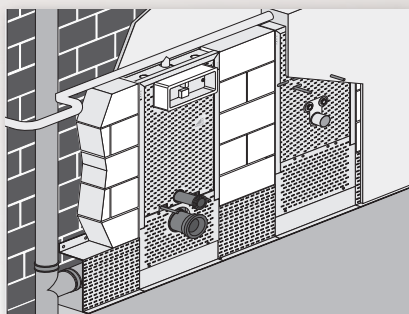
Additionally, note:
Installation noise level lowers with high quality pipes.
The ground plan, the construction and/or the specified cable routing sometimes necessitate drain pipes with a better sound reduction index than HT pipes.

Suitable expansion strips should be used before placing the screed.
No sound bridges should arise between installations or installation walls and floating screed.

General information

Sound insulation - Test certificates and installation situation on site

For Burda MEROBLOCK, the test set-ups are aligned to facilities in surgeries consistently and according to the conditions on the building site. For maximum safety in design and installation.

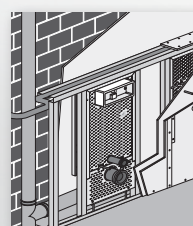
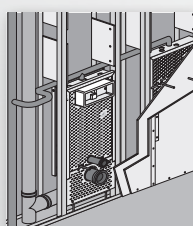
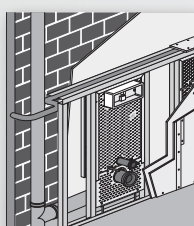
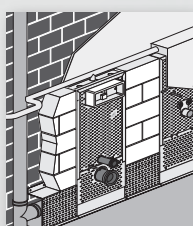
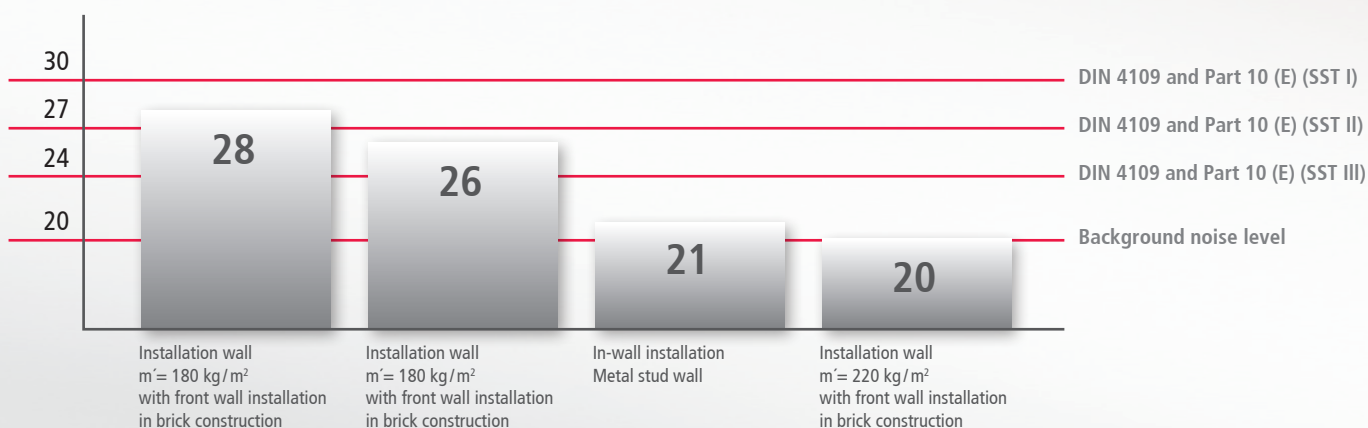


To achieve the required noise protection level, it is important for planners and installers to know the values of the individual components of the sanitary systems. For this purpose he uses the acoustic test reports of the manufacturer.

Fundamental to the success of his work is that the test set-up for the sound level measurement is as close as possible to the set-up of the later installation. Therefore, he should always ask for the test reports and compare the test set-up with the proposed installation!

Result: Lowest noise level in practice

Test requirements — Riser — Down pipe — WC block — WT block — with drinking and waste water pipe
Sound level in the vulnerable room when using Burda MEROBLOCK according to test set-up



General information

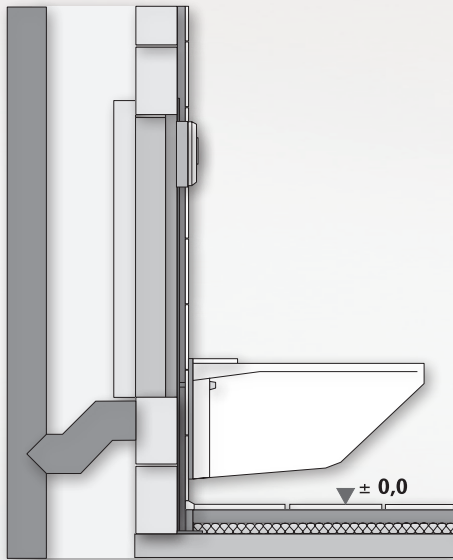
Preventive fire protection in the L-90 installation shafts

Option of installing Burda MEROBLOCK installation blocks in space-enclosing walls F 90.

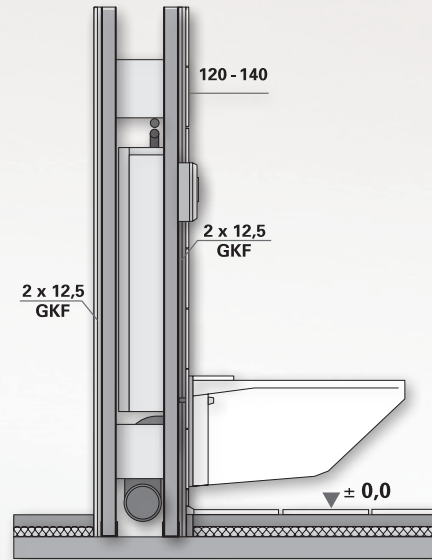
→ For this purpose, the required fire safety certificate by a fire test and a "general building authority approval" must be produced.

Installation in a bricked L 90 installation shaft with F 90 shaft cladding according to DIN 4102-4

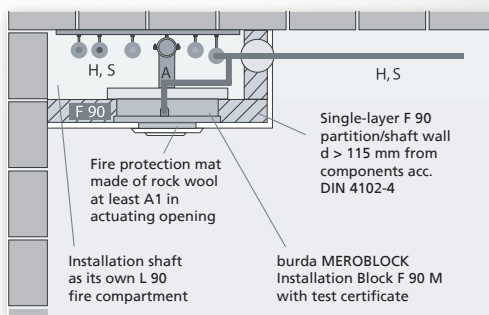
→ Mounting in a light partition wall F 90 (with suitability certificate) and cable routing in an L-90 installation shaft with F-90 shaft cladding according to DIN 4102-4.



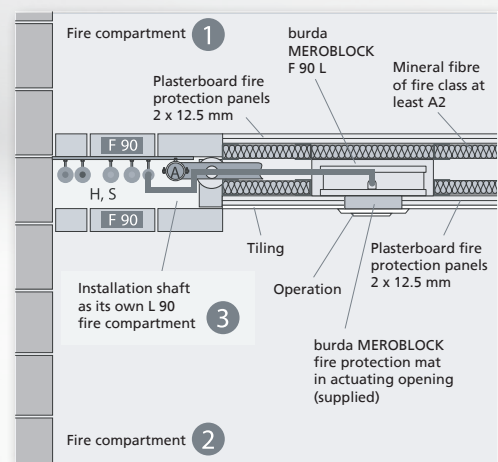
Burda MEROBLOCK F 90 M installation in accordance with the general building authority approval of the MPA Braunschweig P-3083/0738-MPA BS.



Burda MEROBLOCK F 90 L installation in accordance with the general building authority approval of the MPA Braunschweig P-3083/0738-MPA BS.



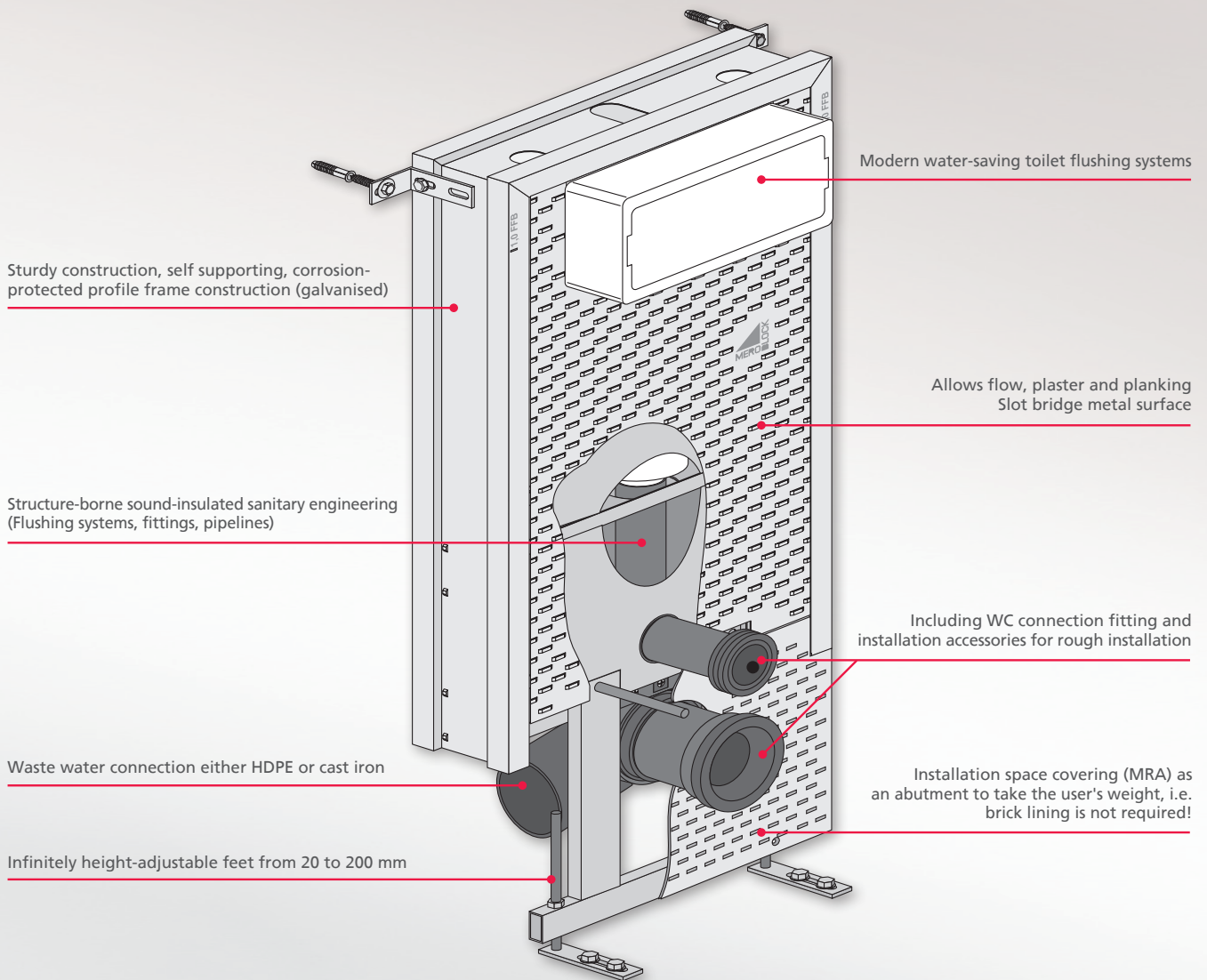
Pipe penetrations in accordance with the requirements of preventive fire protection with a fire resistance of 90 minutes, for example, according to the alleviations of MLAR 03/2000.



The installation of the Burda MEROBLOCK F 90 L takes place in an approved F 90 metal stud wall. The pipe insertion can be done at each end of the top and bottom of the metal stud wall with a partitioning.

Performance and technology

The example of the Burda M block for wall-mounted WC



Note:
All installation instructions and other documentation
and test certificates can be found in the download area
at www.burda-online.com.

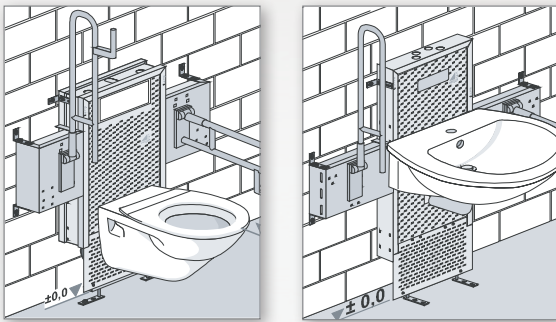
General information

Barrier-free construction according to DIN 18040, solutions with Burda MEROBLOCK

The Burda MEROBLOCK offers the right connection options in any installation situation, making it a universally applicable choice at the construction site. Whether brick or dry wall construction, the demands on high quality or standard-compliant facilities for barrier-free living can always be met.

Examples of the implementations of the requirements according to DIN 18040 with the Burda MEROBLOCK Installation blocks:

Front wall installation

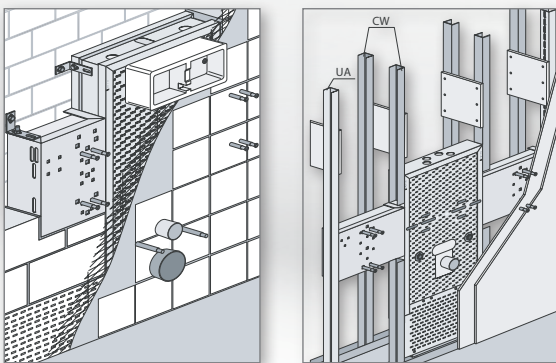


The Burda MEROBLOCK range includes not only standard-compliant installation blocks with dimensional requirements and increased resilience, but also barrier-free sanitary systems.

Various designs such as the wash-stand flush-mounted siphon, the electrical and electronic WC actuation and wash-stand fittings engineering meet the most varied requirements.

The Burda MEROBLOCK mounting plates are particularly designed for the high load (100 kg) of the folding support handles. In addition to the original dimensions of the manufacturer's mounting, these parts include standardised clearance dimensions and a practical design for brick and dry wall construction.

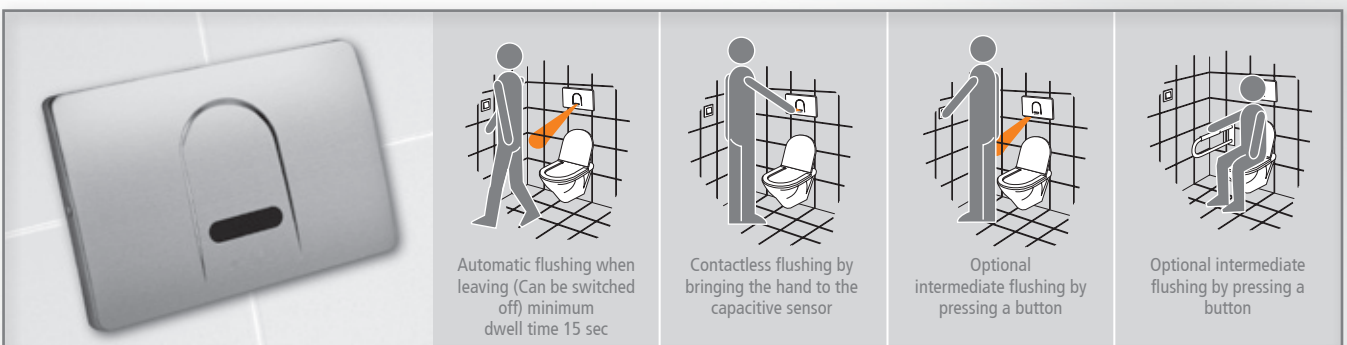
Front wall installation with brick lining In-wall installation in metal stud wall



The high quality standardised sound protection through the structure-borne sound insulation design can be further improved in bricked front walls by the use of noise protection cages.

The optical/electrical and contactless Burda WC control allows a toilet flushing that suitably meets the standard and usage in barrier-free bathrooms.

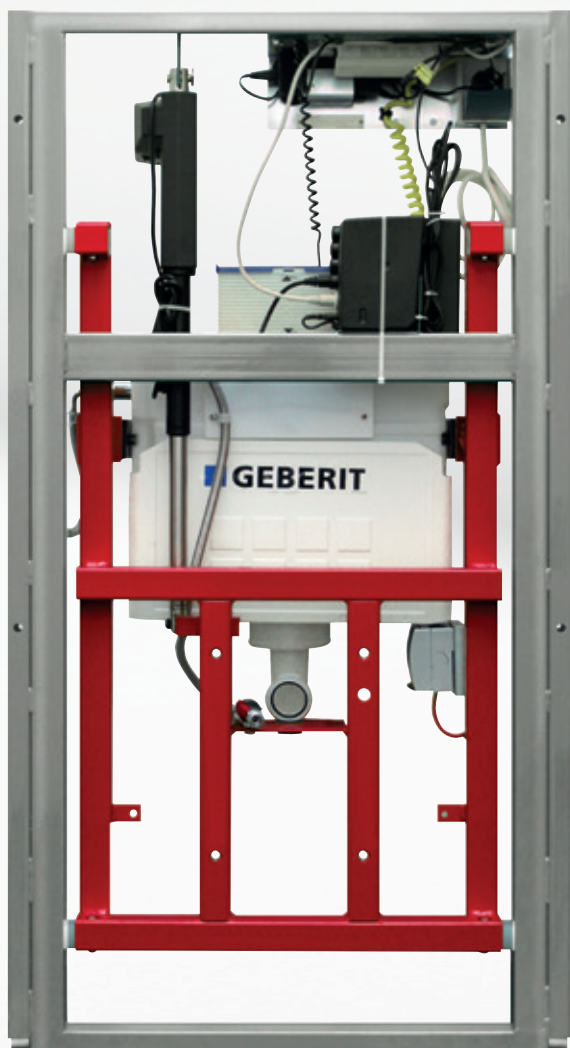
WC-Controls and function



for barrier-free facilities

MEROBLOCK

M-Blockcare WCmove with electric height adjustability for barrier-free toilet facilities



Suited for: Front wall

Scope of delivery

Dry construction element self-supporting incl.:

- Drainage set (vertical or horizontal)
- Flexible lockable inlet hose 1/2"
- Mounting material, drilling template, Installation and Operation Manual
- Adjustability: 30 cm (electric) via manual switch HB41 (included)
- Bottom support 90 mm adjustable in height
- Bottom support 70 mm adjustable in depth (from 250 - 320 mm)
- Capacity: 400 kg (tested in accordance with NF X41002, xpd12-208)
- Material steel, powder coated

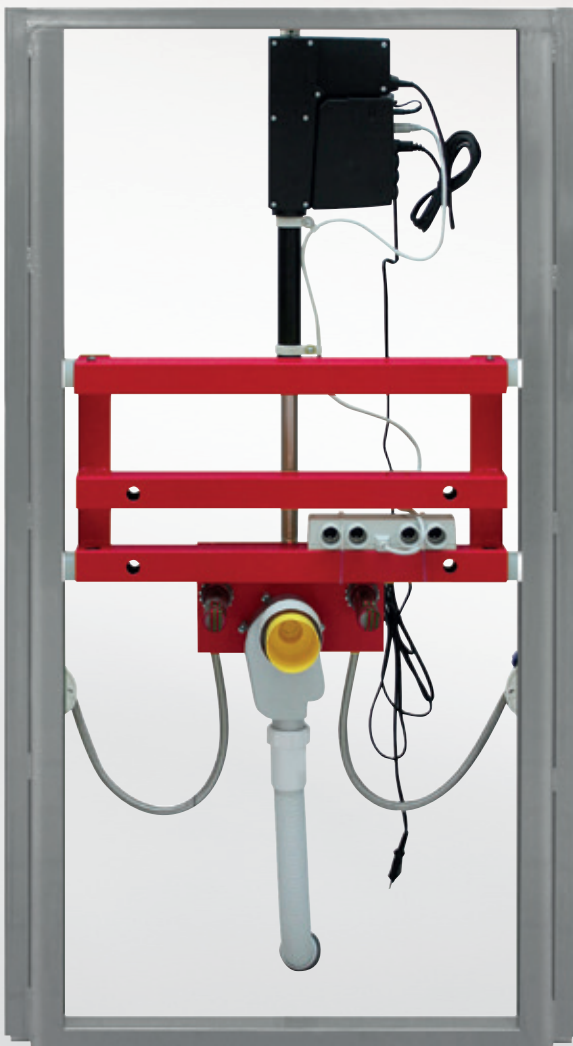
Flushing cistern

- Make Geberit

Extensions

- Infra-red WC control Burda Move
- Stainless steel armrests
- Toilet paper holder for stainless steel armrests

M-Blockcare WT*move* with electric height adjustability for barrier-free wash basin facilities



Suited for: Front wall

Scope of delivery

Dry construction element self-supporting incl.:

- Drainage set (Universal)
- Flexible lockable inlet hose 1/2"
- Mounting material, drilling template, Installation and Operation Manual
- Adjustability: 30 cm (electric) via manual switch HB41 (included)
- Bottom support 90 mm adjustable in height
- Bottom support 70 mm adjustable in depth (from 250 - 320 mm)
- Material steel, powder coated
- Concealed siphon for wash basins with 28 cm mounting distance
- Height of ceramic: 700 - 1000 mm
- Structural height of element: 1,295 - 1,385 mm



burda
Sanitärtechnik

Herbert Burda GmbH
Krefelder Straße 87
40549 Düsseldorf

Tel. +49 211 95001-0
Fax. +49 211 500575

www.burda-online.com