

PRODUCT RANGE 2015

burda
Sanitärtechnik



Dear Customers,

As a long-standing partner of the sanitary trade, we know that no two building sites are the same. Some require a standard brickwork solution, others a dry construction stud wall. All clients want their rental premises to be renovated as quickly as possible and without having to clear them out. Whatever service the client expects from the fitter, we have the right installation system for the requirement in question.

No two building sites are the same. Clients on the other have at least one thing in common: anyone who appoints a tradesman expects perfect quality craftsmanship and at the best possible price besides. Faced with this contradiction of having to provide the best work at the lowest price in order to be competitive, craftsmen are permanently under a price pressure that at times threatens their existence. So that the fitter can manage the balancing act of being able to provide good and at the same time affordable work, we offer

craftsmen industrially pre-assembled installation systems, which can be used to plan and work in a quick and orderly fashion. We are convinced that it is only possible to achieve further productivity and cost benefits on the building site using well thought out products, which allow our fitters to deliver a professional and ultimately also a cost-effective service.

Being aware of this, as a family-managed company we have been developing reliable installation systems and sanitary engineering for the HVAC sector for more than four decades.

Managing Director

A handwritten signature in black ink, appearing to read 'M. Burda', with a long, sweeping underline that extends to the left.

Michael Burda

Our installation units can be supplied with different pipe connections. Standard delivery comes in the connection type 1/2"x1/2".

On request you can choose between the following connection options:

| End number | Connection type |
|------------|-----------------------------------|
| 00 | Standard connection 1/2" x1/2" |
| 99 | without connection |

Information

- This list invalidates all previous lists
- Subject to dimension changes and technical changes

5 – 58 **BS+**

59 – 64 Corner Elements

65 – 80 Kombiset

81 – 86 Flushing Systems

87 – 88 Support Brackets

89 – 111 Plano - X

Dry construction installation system for subsequent planking

Description of system

1.1 BS+

The BS+ installation range is the universally applicable, industrially pre-assembled element system for stud wall and front wall installation.

1.1.1 Elements

This extensive range includes elements for toilets but also for urinals, bidets and washstands, as well as the corresponding elements for barrier-free construction. Readymade elements are even available for special applications such as countertop washbasins with wall fittings, water metres or urinal electronics.

1.1.2 Free choice of connections

With all units the fitter is free to choose between cisterns from various brand manufacturers and decide for himself what type of pre-fitted connection should be supplied with the element.



For subsequent planking



Fire protection
DIN 4102



Sound insulation
DIN 4109



Choice of connections



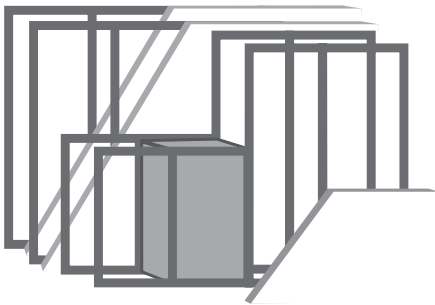
Material costs



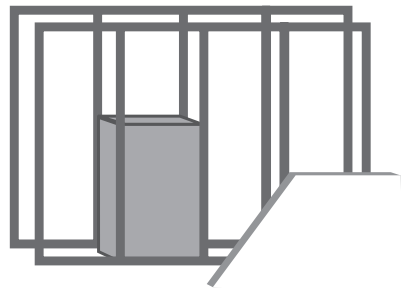
DVGW standard

1.2 Application area

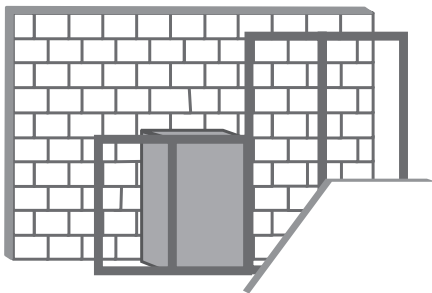
The BS+ is the flexible dry construction installation system for front wall installation or for fitting into a stud wall. The application areas for this system are therefore building sites where drywallers are also expected to be included in handling the job.



In front of stud wall



In stud wall



In front of solid wall

Description of system

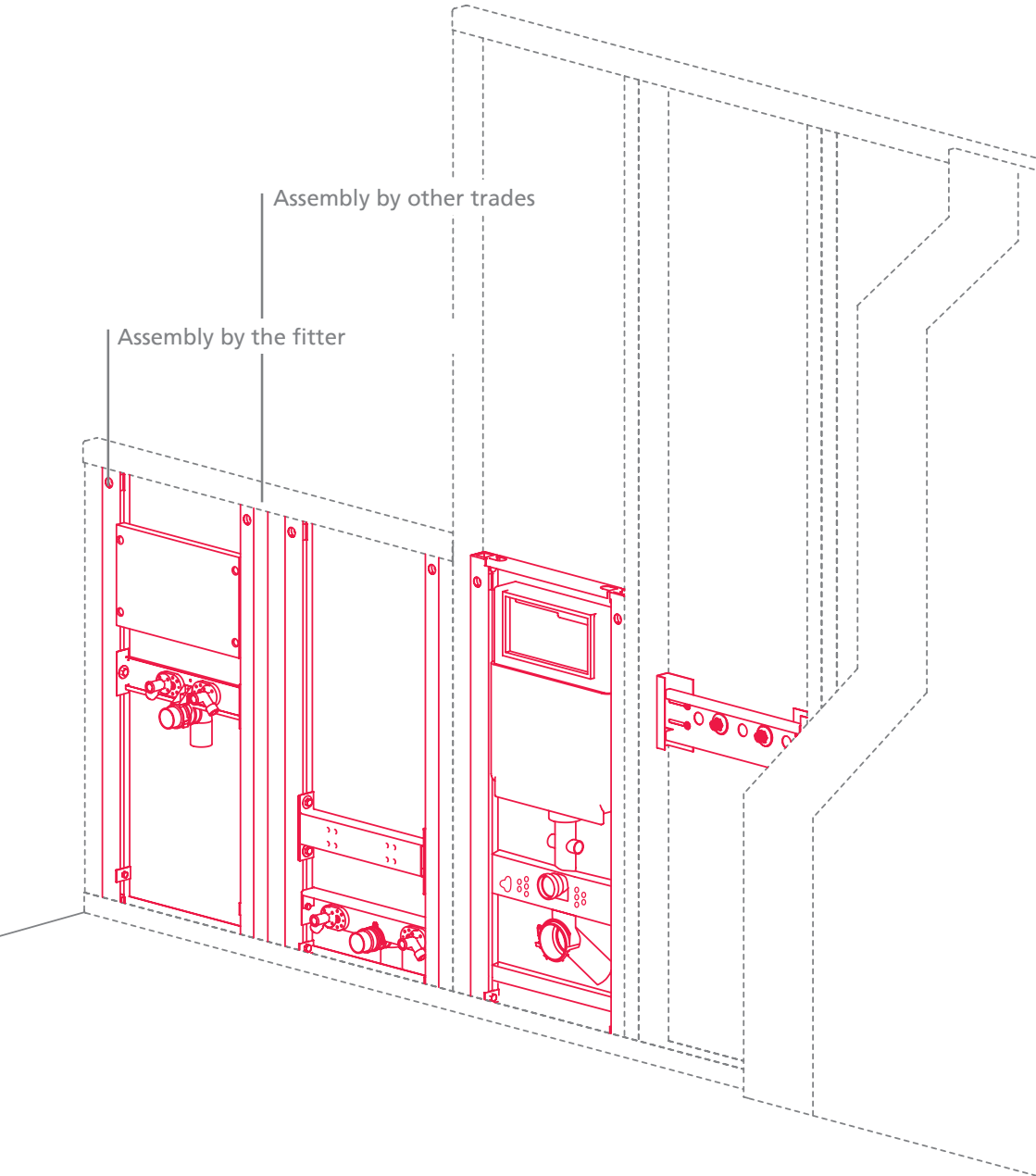
1.3 Benefits

The BS+ installation range offers fitters and planners the opportunity to create complete installations in classic dry constructions and to resort to pre-assembled units.

Individual solutions can be flexibly planned in this way.

Assembly by other trades

Assembly by the fitter



Assembly instructions for fitting in stud walls

1.1 Perfect and installation-friendly

For new builds, renovations, loft conversions and the commercial sector:

Light construction wall with integrated fastening and connection options for sanitary units are in line with modern building technology.

The BS+ Plus system from Burda gives you a fully galvanised, self-supporting design for fitting sanitary units into light construction walls. This is an installation-friendly system for fitting individually into the C-profiles of a stud wall.

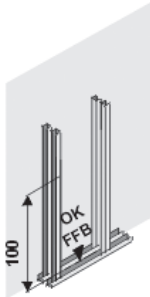
1.2 Design of the light constructions walls

The BS+ elements from Burda are designed to be fitted in stud walls according to DIN 18183, November 1988 edition, walls made out of plasterboard panels (design of metal stud walls) or wooden stud walls, with a load bearing capacity in accordance with DIN 18183. In so-called wet rooms with metal stud wall and BS+ sanitary units planking should be done with double-layer, impregnated firecheck plasterboard panels.



When fitting WC installations suitable for old and disabled people, reinforced UA profiles must always be used!

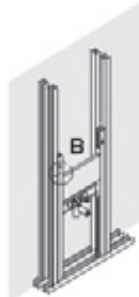
Installation example:



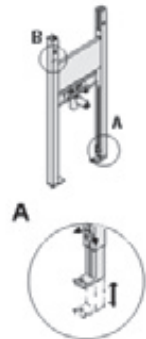
Transferring setting out points to the standing C-profiles.



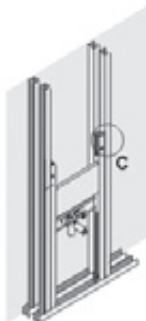
Inserting the element into the stud wall..



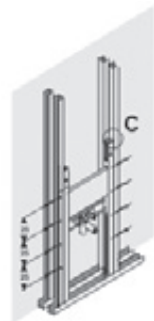
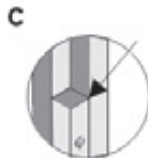
Align setting out points on the stud wall flush with the marking on the element. (B)
The height of the element is adjusted using the feet on the element. (A)



- Loosen nut
- Move foot to required size
- Tighten nut



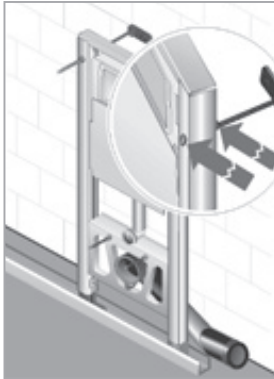
Align outer edges of the element flush with the outer edges of the stud wall and fix position. (C)



Screw aligned stud wall element combination on the sides and on the floor.

Note: The planking must always cover the whole area without gaps and be screwed in place.

Assembly instructions for fitting in a front-wall installation



1. Fasten the U-profile to the floor at the required distance to the wall and place the BS+ Plus element into it. Install the two wall brackets supplied as accessories to the BS+ Plus element and adjust the gap between the element and the wall with the aid of the wall brackets. Make the wall brackets face downwards or to the side. Cut the threaded rods off so that they no longer protrude from the element. Tighten the lock nuts.



2. On the left and right of the element, use the selftapping screws to fasten a C-profile on each side, which are additionally joined to the U-profile with pop rivets at the bottom.

Note: As a matter of principle, all C and U-profiles are joined with pop rivets or profile connecting pliers.



3. Put another U-profile over the element in the required length, which will act as a shelving area.



4. Extend the levels, in which the elements are located, as stud walls. The stud wall must be extended with a C-profile every 625 mm or a new element put in place.



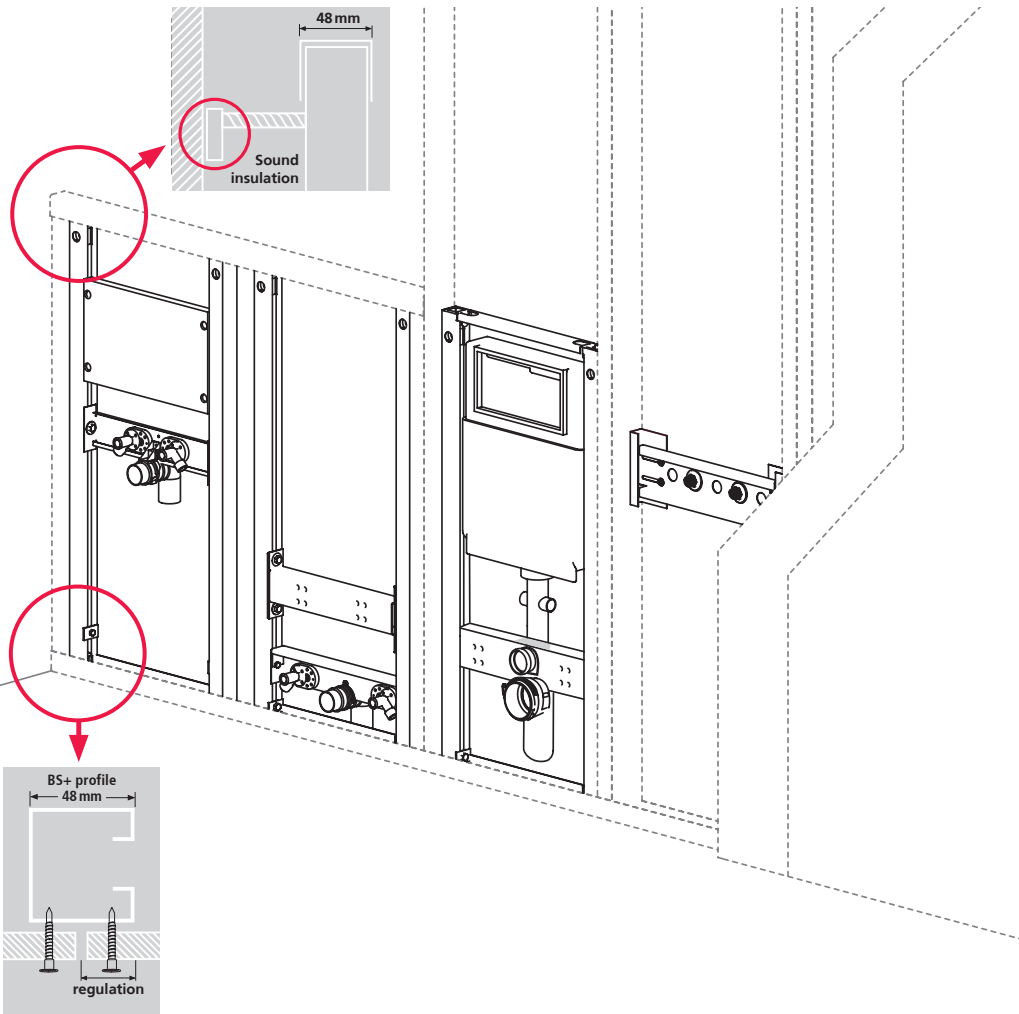
5. Now attach another Uprofile (reverse side facing the wall) at the same height as the top edge of the element.



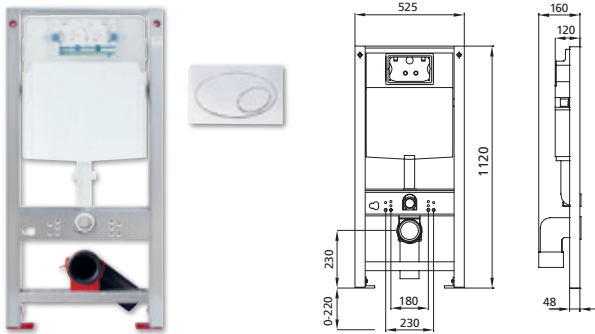
6. Plank this construction with plasterboard panels suitable for wet rooms. Planking must always be done twofold and without gaps! In addition, screws must be used in the WC area!

Installation in a stud wall or as an individual element in a front-wall installation

- The elements consist of 48 mm wide profiles, so they can be perfectly fitted into a 50 plasterboard stud wall.
- GKF (impregnated fire-proof plaster-board) building panels can be set with butt joints
- Fitting the panels without pre-drilling
- Sound insulation integrated as standard (all plastic parts in red)
- Element base extendable by 220 mm as standard.
- Higher corrosion protection through sendzimir galvanized elements.
- 4 point mounting
- All common standards are complied with, (e. g. DIN 4109, etc.)



BS+ Plus wall-mounted WC element with concealed cistern,
German brand flushing from front, including flush button



Suitable for standard wall-mounted WC.

Can be used for fitting into a stud wall according to DIN 18183 or combined with accessory set Ref. no. 240 008 as an individual element in a pre-wall installation.

Can also be used as a disabled WC element.

- made of galvanised, self-supporting and sound-insulated steel construction,
- with WC ceramic attachments 180 and 230 mm,
- with pivoting waste pipe DN 80 / 80, 2-piece (with reducer DN 100),
- with wall-mounted WC connection fittings,
- with built-in, condensation-insulated concealed cistern with dual flush technology,
- with protection cap for inspection opening,
- with construction plugs for supply and waste pipe,
- with all attachment accessories,
- with all installation accessories,
- with adjustable footrests 0-220 mm,
- with cistern connection bracket
- with integrated or separate corner valve,
- with front flush.

Dimensions: W / H / D 525 / 1120 / 160 mm (with waste pipe)

Note: WC Support bracket for WC-ceramics with contact surface less than 17 cm (for example Flaminia, Sentique)

Design

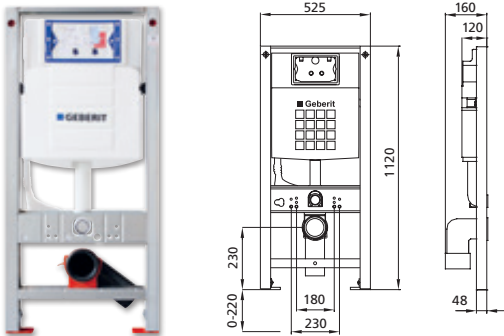
Installation height 1120mm
Burda K610 with dual flush,
with flush button T610, white

All toilets
compatible with Duravit Sensowash® C

Ref. no.

210 003.xx

BS+ WC element with concealed cistern, front flush



Suitable for standard wall-mounted WC.

Can be used for fitting into a stud wall according to DIN 18183 or combined with accessory set Ref. no. 240 008 as an individual element in a pre-wall installation.

Can also be used as a disabled WC element.

made of galvanised, self-supporting and sound-insulated steel construction,
 with WC ceramic attachments 180 and 230 mm,
 with pivoting waste pipe DN 80 / 80,
 with 2-piece (with reducer DN 100),
 with wall-mounted WC connection fittings,
 with built-in, condensation-insulated concealed cistern
 with dual flush technology,
 with protection cap for inspection opening,
 with construction plugs for supply and waste pipe,
 with all attachment accessories,
 with all installation accessories,
 with adjustable footrests 0-220 mm,
 with cistern connection bracket
 with integrated or separate corner valve,
 with front flush.
 without flush plate.

Dimensions: W / H / D 525 / 1120 / 160 mm (with waste pipe)

! **Note:** WC Support bracket for WC-ceramics with contact surface less than 17 cm (for example Flaminia, SentiQue)

Design

Ref. no.

Installation height 1120mm
 Burda K610 with dual flush,
 for flush button T610 and T611

211 019.xx

Geberit UP-SPK Sigma
 with dual flush, for flush button
 Sigma, Tango, Mambo and Bolero

211 088.xx

Geberit UP-SPK Delta
 with dual flush, for flush button
 Delta11/15/21/40/50

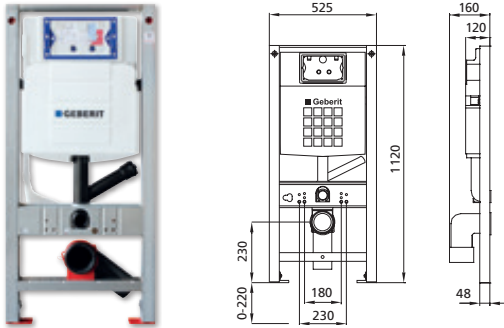
211 109.99

Geberit UP-SPK Omega
 with dual flush, for flush button
 Omega

211 290.xx

All toilets
 compatible with Duravit Sensowash® C
 Geberit concealed cistern
 compatible with Geberit AquaClean

BS+ Plus wall-mounted WC element for smell extraction, front flush



Suitable for standard wall-mounted WC.

Can be used for fitting into a stud wall according to DIN 18183 or combined with accessory set Ref. no. 240 008 as an individual element in a pre-wall installation.

Can also be used as a disabled WC element.

made of galvanised, self-supporting and sound-insulated steel construction,
 with WC ceramic attachments 180 and 230 mm,
 with pivoting waste pipe DN 80 / 80,
 2-piece (with reducer DN 100),
 with wall-mounted WC connection fittings,
 with built-in, condensation-insulated concealed cistern,
 with protection cap for inspection opening,
 with construction plugs for supply and waste pipe,
 with all attachment accessories,
 with all installation accessories,
 with adjustable footrests 0-220 mm,
 with cistern connection bracket
 with integrated or separate corner valve,
 with 50 mm moulding for smell extraction
 with front flush,
 without flush plate.

Dimensions: W / H / D 525 / 1120 / 160 mm (with waste pipe)

Note: WC Support bracket for WC-ceramics with contact surface less than 17 cm (for example Flaminia, Sentique)

Design

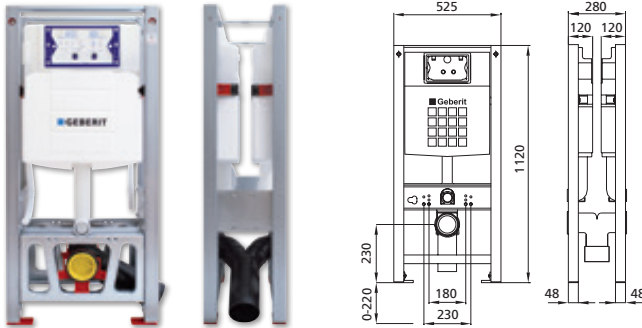
Installation height 1120mm
 Geberit UP-SPK Sigma
 with dual flush, for flush button
 Sigma, Tango, Mambo and Bolero
 prepared for 50 mm smell extraction

All toilets
 compatible with Duravit Sensowash® C
 Geberit concealed cistern
 compatible with Geberit AquaClean

Ref. no.

220 088.xx

BS+ Plus double WC element for wall-mounted WC



Suitable for standard wall-mounted WC.

Can be used for fitting into a stud wall according to DIN 18183

Can also be used as a disabled WC element.

made of galvanised, self-supporting and sound-insulated steel construction,

- with WC ceramic attachments 180 and 230 mm,
- with pivoting T-pipe DN 80 / 100 / 80,
- with 2x wall-mounted WC connection fittings,
- with 2x built-in, condensation-insulated concealed cisterns with dual flush technology,
- with protection cap for inspection opening,
- with construction plugs for supply and waste pipe,
- with all attachment accessories,
- with all installation accessories,
- with adjustable footrests 0-280 mm,
- with 2x cistern connection brackets
- with integrated or separate corner valves,
- with front flush,
- without flush plates.

Dimensions: W / H / D 525 / 1120 / 280 mm

! **Note:** WC Support bracket for WC-ceramics with contact surface less than 17 cm (for example Flaminia, Sentique)

Design

Installation height 1120mm
Burda K610 with dual flush,
for flush button T610 and T611

Geberit UP-SPK Sigma
with dual flush, for flush button
Sigma, Tango, Mambo and
Bolero

Geberit UP-SPK Delta
with dual flush, for flush button
Delta11/15/21/40/50

All toilets
compatible with Duravit Sensowash® C
Geberit concealed cistern
compatible with Geberit AquaClean

Ref. no.

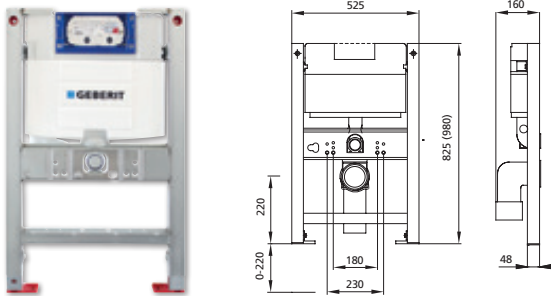
211 021.xx

211 122.xx

211 222.99

NEW

BS+ Plus wall-mounted WC element



Suitable for standard wall-mounted WC.

Can be used for fitting into a stud wall according to DIN 18183 or combined with accessory set Ref. no. 240 008 as an individual element in a pre-wall installation.

Can also be used as a disabled WC element.

made of galvanised, self-supporting and sound-insulated steel construction,
 with reduced shelf height,
 with WC ceramic attachments 180 and 230 mm,
 with pivoting waste pipe DN 80 / 80,
 2-piece (with reducer DN 100),
 with wall-mounted WC connection fittings,
 with built-in, condensation-insulated concealed cistern,
 with protection cap for inspection opening,
 with construction plugs for supply and waste pipe,
 with all attachment accessories,
 with all installation accessories,
 with adjustable footrests 0-220 mm,
 with cistern connection bracket with integrated or separate corner valve,
 without flush plate.

Dimensions: W / H / D 525 / 825 (980) / 160 mm (with waste pipe)

Note:

- The WC lid will only stay in an open position if the gap between the wall and the WC lid is > 25 mm.
 When using WC ceramics such as from Keramag: Renova Nr. 1, Comprimo 204550, Joly 203060, V&B: Viala 765310, Viala 765210 the flush button must be fitted from above.

- Note:** WC Support bracket for WC-ceramics with contact surface less than 17 cm (for example Flaminia, Sentique)

Design

Installation height 825 mm
 Geberit UP-SPK Omega
 with dual flush,
 Top / front operated for
 flush button Omega

Installation height 980 mm
 Geberit UP-SPK Omega
 with dual flush,
 Top / front operated for
 flush button Omega

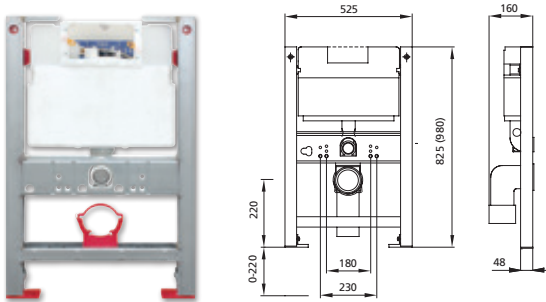
All toilets
 compatible with Duravit Sensowash® C
 Geberit concealed cistern
 compatible with Geberit AquaClean

Ref. no.

211 390.xx

211 395.xx

BS+ Plus wall-mounted WC element



Suitable for standard wall-mounted WC.

Can be used for fitting into a stud wall according to DIN 18183 or combined with accessory set Ref. no. 240 008 as an individual element in a pre-wall installation.

Can also be used as a disabled WC element.

made of galvanised, self-supporting and sound-insulated steel construction,
 with reduced shelf height,
 with WC ceramic attachments 180 and 230 mm,
 with pivoting waste pipe DN 80 / 80,
 2-piece (with reducer DN 100),
 with wall-mounted WC connection fittings,
 with built-in, condensation-insulated concealed cistern,
 with protection cap for inspection opening,
 with construction plugs for supply and waste pipe,
 with all attachment accessories,
 with all installation accessories,
 with adjustable footrests 0-220 mm,
 with cistern connection bracket with integrated or separate corner valve,
 without flush plate.

Dimensions: W / H / D 525 / 825 / 160 mm (with waste pipe)

Note:

The WC lid will only stay in an open position if the gap between the wall and the WC lid is > 25 mm.

When using WC ceramics such as from Keramag: Renova Nr. 1, Comprimo 204550, Joly 203060, V&B: Viala 765310, Viala 765210 the flush button must be fitted from above.

Note: WC Support bracket for WC-ceramics with contact surface less than 17 cm (for example Flaminia, Sentique)

Design

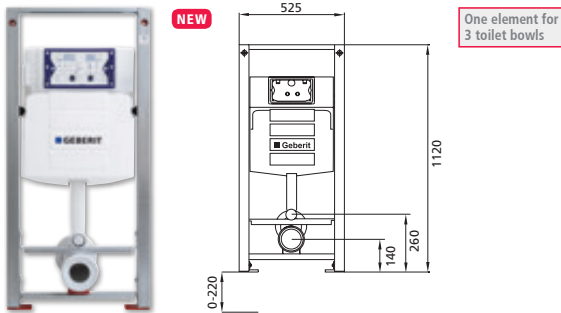
Installation height 825 mm
 Burda K921 with dual flush,
 Top / front operated for
 flush button T921

All toilets
 compatible with Duravit Sensowash® C

Ref. no.

211 456.xx

BS+ floormounted WC with concealed cistern for Baby / Child / adult



Suitable for Keramag floor-mounted WC.

Can be used for fitting into a stud wall according to DIN 18183 or combined with accessory set Ref. no. 240 008 as an individual element in a pre-wall installation.

Can also be used as a disabled WC element.

made of galvanised, self-supporting and sound-insulated steel construction,
 with WC ceramic attachments 180 and 230 mm,
 with pivoting waste pipe DN 80 / 80,
 2-piece (with reducer DN 100),
 with floor-mounted WC connection fittings,
 with built-in, condensation-insulated concealed cistern
 with dual flush technology,
 with protection cap for inspection opening,
 with construction plugs for supply and waste pipe,
 with all attachment accessories,
 with all installation accessories,
 with adjustable footrests 0-220 mm,
 with cistern connection bracket with integrated or separate corner valve,
 with front flush,
 without flush plate.

Dimensions: W / H / D 525 (534) / 1120 / 160 mm (with waste pipe)

Design

For Keramag Baby/Child /adult floormounted WC Installation height 1120 mm

Burda K610 with dual flush,
 with flush button T610, white

Geberit UP-SPK Sigma
 with dual flush, for flush button
 Sigma, Tango, Mambo and Bolero

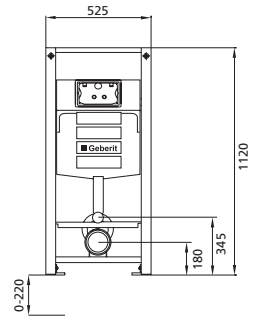
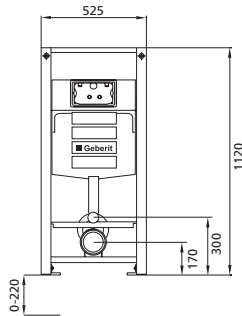
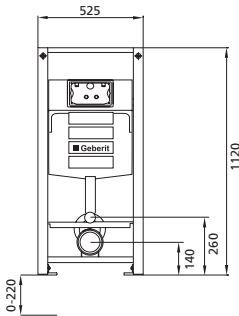
*** Set as standard for baby floor-standing toilet**

Ref. no.

211 949.xx

211 948.xx

**BS+ floormounted WC with concealed cistern
for Baby / Child / adult**



Settings of the cross members

Baby floor standing toilet

Cross member inlet
(Dimension centre inlet height: 260 mm)
Cross member outlet
(Dimension centre outlet height: 140 mm)

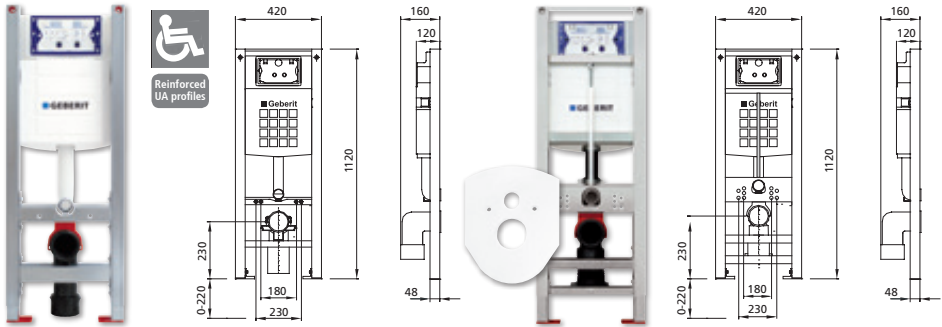
kid's floor standing toilet

Cross member inlet
(Dimension centre inlet height: 300 mm)
Cross member outlet
(Dimension centre outlet height: 170 mm)

adult floor standing toilet

Cross member inlet
(Dimension centre inlet height: 345 mm)
Cross member outlet
(Dimension centre outlet height: 180 mm)

BS+ wall-mounted WC element for disabled WC units



Suitable for standard wall-mounted WC.

Can be used for fitting into a stud wall according to DIN 18183 or combined with accessory set Ref. no. 240 008 as an individual element in a pre-wall installation.

- made of galvanised, self-supporting and sound-insulated steel construction,
- with reduced element width 420 mm,
- with WC ceramic attachments 180 and 230 mm,
- with pivoting waste pipe DN 80 / 80,
- with 2-piece (with reducer DN 100),
- with wall-mounted WC connection fittings,
- with built-in, condensation-insulated concealed cistern
- with dual flush technology,
- with protection cap for inspection opening,
- with construction plugs for supply and waste pipe,
- with all attachment accessories,
- with all installation accessories,
- with adjustable footrests 0-220 mm,
- with cistern connection bracket with integrated or separate corner valve,
- with front flush,
- without flush plate.

Dimensions: W / H / D 420 / 1120 / 160 mm (with waste pipe)

- ! **Note:** WC Support bracket for WC-ceramics with contact surface less than 17 cm (for example Flaminia, Sentique)

Design

barrier-free

Installation height 1120 mm
Burda K610 with dual flush,
for flush button T610 and 611

Geberit UP-SPK Sigma
with dual flush, for flush button
Sigma, Tango, Mambo and Bolero

Geberit UP-SPK Sigma
with dual flush, for flush button
Sigma, Tango, Mambo and Bolero
prepared for 50 mm smell extraction

Geberit UP-SPK Sigma
with dual flush, for flush button
Sigma, Tango, Mambo and Bolero
with covering plate (white)
8 cm height adjustable after tiling

All toilets
compatible with Duravit Sensowash® C
Geberit concealed cistern
compatible with Geberit AquaClean

Ref. no.

211 419.xx

211 148.xx

220 099.xx

Discontinued

211 090.xx

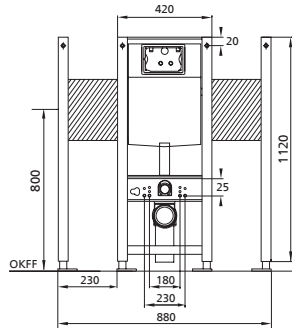
NEW

**BS+ Plus wall-mounted-WC element for fully accessible WC installations
incl. mounting element for support rail left and right**



Reinforced
UA profiles

NEW



Suitable for standard wall-mounted WC.

Can be used for fitting into a pre-wall installation combined with accessory set Ref. no. 240 008.

- made of galvanised, self-supporting and sound-insulated steel construction,
- with reduced element width 420 mm,
- with WC ceramic attachments 180 and 230 mm,
- with pivoting waste pipe DN 80 / 80, 2-piece (with reducer DN 100),
- with wall-mounted WC connection fittings,
- with built-in, condensation-insulated concealed cistern
- with dual flush technology,
- with protection cap for inspection opening,
- with construction plugs for supply and waste pipe,
- with all attachment accessories,
- with all installation accessories,
- with adjustable footrests 0-220 mm,
- with cistern connection bracket with integrated or separate corner valve,
- with front flush,
- with mounting plate left and right
- without flush plate.

Dimensions: W / H / D 880 / 1120 / 160 mm (with waste pipe)

! Note: WC Support bracket for WC-ceramics with contact surface less than 17 cm (for example Flaminia, Sentique)

Design

barrier-free
Installation height 1120 mm
Burda K610 with dual flush,
for flush button T610 and 611

Geberit UP-SPK Sigma
with dual flush, for flush button
Sigma, Tango, Mambo and Bolero

All toilets
compatible with Duravist Sensowash® C
Geberit concealed cistern
compatible with Geberit AquaClean

Ref. no.

211 500.xx

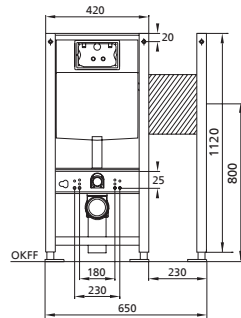
211 600.xx

BS+ wall-mounted-WC element for fully accessible WC installations incl. mounting element for support rail left or right



Reinforced
UA profiles

NEW



Suitable for standard wall-mounted WC.

Can be used for fitting into a pre-wall installation combined with accessory set Ref. no. 240 008.

- made of galvanised, self-supporting and sound-insulated steel construction,
- with reduced element width 420 mm,
- with WC ceramic attachments 180 and 230 mm,
- with pivoting waste pipe DN 80 / 80,
- with 2-piece (with reducer DN 100),
- with wall-mounted WC connection fittings,
- with built-in, condensation-insulated concealed cistern
- with dual flush technology,
- with protection cap for inspection opening,
- with construction plugs for supply and waste pipe,
- with all attachment accessories,
- with all installation accessories,
- with adjustable footrests 0-220 mm,
- with cistern connection bracket with integrated or separate corner valve,
- with front flush,
- with mounting plate left or right
- without flush plate.

Dimensions: W / H / D 650 / 1120 / 160 mm (with waste pipe)

- Note:** WC Support bracket for WC-ceramics with contact surface less than 17 cm (for example Flaminia, Sentique)

Design

Ref. no.

Side attachment right
Installation height 1120 mm
Burda K610 with dual flush,
for flush button T610 and 611

211 505.xx

Geberit UP-SPK Sigma
with dual flush, for flush button
Sigma, Tango, Mambo and
Bolero

211 606.xx

Side attachment left
Installation height 1120 mm
Burda K610 with dual flush,
for flush button T610 and 611

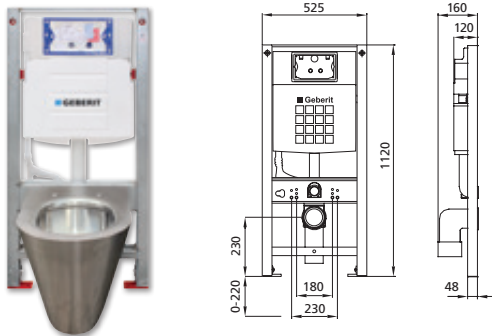
211 555.xx

Geberit UP-SPK Sigma
with dual flush, for flush button
Sigma, Tango, Mambo and
Bolero

211 666.xx

All toilets
compatible with Duravit Sensowash® C
Geberit concealed cistern
compatible with Geberit AquaClean

BS+ wall-mounted-WC element
for Kuhfuss Delabie Stadelheim II / HoSanit, wall-mounted



Suitable for standard wall-mounted WC.

Can be used for fitting into a stud wall according to DIN 18183 or combined with accessory set Ref. no. 240 008 as an individual element in a pre-wall installation.

- made of galvanised, self-supporting and sound-insulated steel construction,
- with WC ceramic attachments 180 and 230 mm,
- with pivoting waste pipe DN 80 / 80,
- with 2-piece (with reducer DN 100),
- with wall-mounted WC connection fittings,
- with built-in, condensation-insulated concealed cistern
- with dual flush technology,
- with protection cap for inspection opening,
- with construction plugs for supply and waste pipe,
- with all attachment accessories,
- with all installation accessories,
- with adjustable footrests 0-220 mm,
- with cistern connection bracket with integrated or separate corner valve,
- with front flush,
- without flush plate.
- without stainless steel toilet basin.

Dimensions: W / H / D 525 (534) / 1120 / 160 mm (with waste pipe)

! **Note:** WC Support bracket for WC-ceramics with contact surface less than 17 cm (for example Flaminia, Sentique)

Design

Installation height 1120 mm

Burda K610 with dual flush,
for flush button T610 and 611

Geberit UP-SPK Sigma
with dual flush, for flush button
Sigma, Tango, Mambo and Bolero

Geberit UP-SPK Delta
with dual flush, for flush button
Delta11/15/21/40/50

Ref. no.

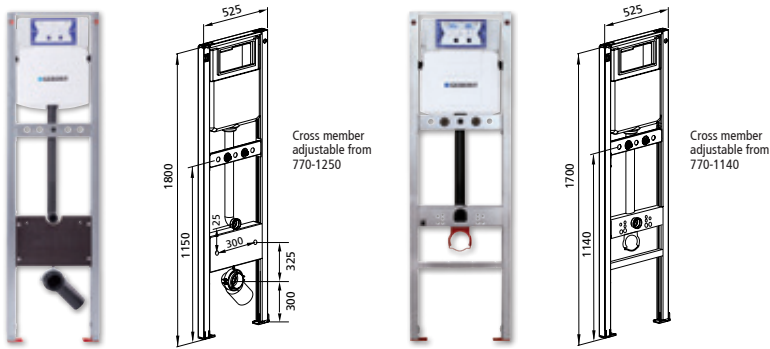
211 085.xx
NEW

211 086.xx
NEW

211 083.99
NEW

BS+ wall spout basin-elements

BS+ elements for wall spout basin Laufen Bernina/Keramag Espital with concealed cistern, for wall mixer



Suitable for Laufen Bernina/Keramag Espital wall spout basin

Can be used for fitting into a stud wall according to DIN 18183 or combined with accessory set Ref. no. 240 008 as an individual element in a pre-wall installation.

- made of galvanised, self-supporting and sound-insulated steel construction,
- with WC ceramic attachments 180 and 230 mm,
- with pivoting waste pipe DN 80 / 80, 2-piece (with reducer DN 100),
- with wall-mounted WC connection fittings,
- with built-in, condensation-insulated concealed cistern with dual flush technology,
- with protection cap for inspection opening,
- with construction plugs for supply and waste pipe,
- with all attachment accessories,
- with all installation accessories,
- with adjustable footrests 0-220 mm,
- with cistern connection bracket,
- with front flush,
- with 2 sound-insulated wall plates with adjustable width,
- without flush plate,
- without Laufen Bernina/Keramag Espital wall spout basin.

Dimensions: W / H / D 525 / 1800 / 160 mm (with waste pipe)

Design

Ref. no.

Laufen Bernina
Installation height 1800 mm

Geberit UP-SPK Sigma
with dual flush, for flush button
Sigma, Tango, Mambo and
Bolero

211 057.xx

Geberit UP-SPK Delta
with dual flush, for flush button
Delta11/15/21/40/50

211 061.99

Keramag Espital
Installation height 1800 mm

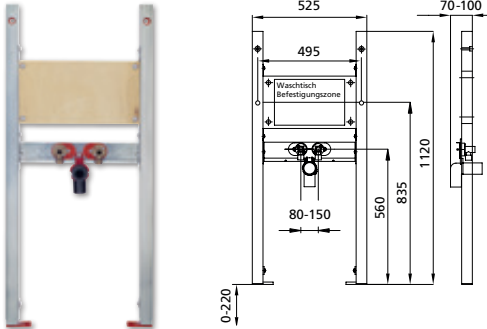
Geberit UP-SPK Sigma
with dual flush, for flush button
Sigma, Tango, Mambo and
Bolero

211 060.xx

Geberit UP-SPK Delta
with dual flush, for flush button
Delta11/15/21/40/50

211 062.99

BS+ wash-stand element
for single hole mixer connection



Can be used for fitting into a stud wall according to DIN 18183 or combined with accessory set Ref. no. 240 008 as an individual element in a front-wall installation.

made of galvanised, self-supporting and sound-insulated steel construction,
with fastening plate for variable wash-stand installation,
with pivoting siphon pipe DN 50,
with rubber nipple 32 mm,
with all attachment accessories,
with all installation accessories for element and wash-stand,
with adjustable footrests 0-220 mm,
with fitting plate with 2 sound-insulated wall plates with adjustable width.

Dimensions: W / H / D 525 / 1120, 980 oder 825 / 70-100 mm
(with waste pipe)
wash basin mounting dimension max. 375 mm

Special solutions on request

Design

Installation height 1120 mm
for single hole mixers

Installation height 980 mm
for single hole mixers

Installation height 850 mm
for single hole mixers

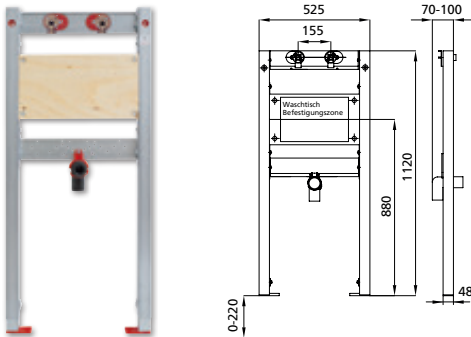
Ref. no.

212 005.xx

212 015.xx

212 018.xx

BS+ wash-stand element for wall mixer connection



Can be used for fitting into a stud wall according to DIN 18183 or combined with accessory set Ref. no. 240 008 as an individual element in a front-wall installation.

made of galvanised, self-supporting and sound-insulated steel construction,
with fastening plate for variable wash-stand installation,
with pivoting siphon pipe DN 50,
with rubber nipple 32 mm,
with all attachment accessories,
with all installation accessories for element and wash-stand,
with adjustable footrests 0-220 mm,
with fitting plate with 2 sound-insulated wall plates with adjustable width.

Dimensions: W / H / D 525 / 1120 / 70-100 mm (with waste pipe)
wash basin mounting dimension max. 375 mm

Special solutions on request

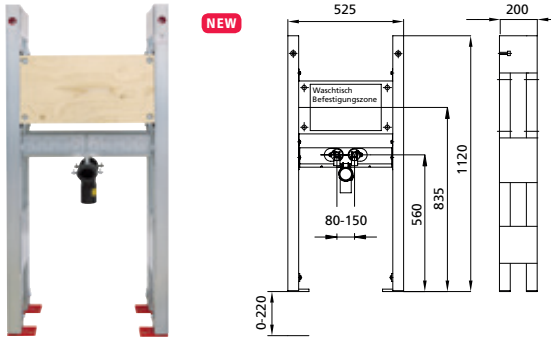
Design

Installation height 1120 mm
for wall mixers

Ref. no.

212 029.xx

BS+ double wash-stand element



Can be used for fitting into a stud wall according to DIN 18183 or combined with accessory set Ref. no. 240 008 as an individual element in a front-wall installation.

made of galvanised, self-supporting and sound-insulated steel construction,
 with fastening plate for variable wash-stand installation,
 with pivoting siphon pipe DN 50,
 with rubber nipple 32 mm,
 with all attachment accessories,
 with all installation accessories for element and wash-stand,
 with adjustable footrests 0-220 mm,
 with fitting plate with 2 sound-insulated wall plates with adjustable width.

Dimensions: W / H / D 525 / 1120, 980 oder 825 / 200 mm
 (with waste pipe)
 wash basin mounting dimension max. 375 mm

Special solutions on request

Design

Installation height 1120 mm
for single hole mixers

Installation height 980 mm
for single hole mixers

Installation height 850 mm
for single hole mixers

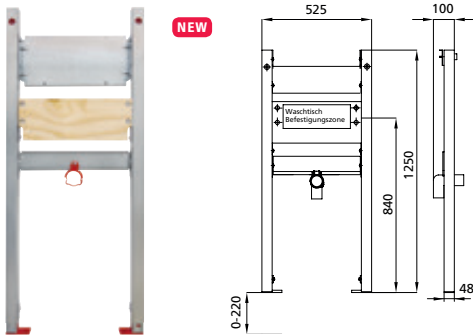
Ref. no.

212 021.xx

212 016.xx

212 017.xx

BS+ wash basin element for concealed fitting



Can be used for fitting into a stud wall according to DIN 18183 or combined with accessory set Ref. no. 240 008 as an individual element in a front-wall installation.

- made of galvanised, self-supporting and sound-insulated steel construction,
- with fastening plate for variable wash-stand installation,
- with pivoting siphon pipe DN 50,
- with rubber nipple 32 mm,
- with all attachment accessories,
- with all installation accessories for element and wash-stand,
- with adjustable footrests 0-220 mm,

Dimensions: W / H / D 525 / 1250 / 100 mm (with waste pipe)
wash basin mounting dimension max. 375 mm

Special solutions on request

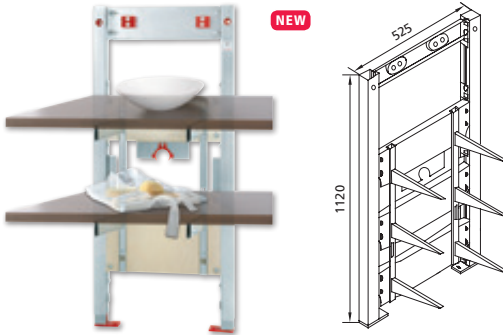
Design

Installation height 1250 mm
for concealed fitting

Ref. no.

212 030.99

BS+ countertop wash-stand element for wall mixer connection



Can be used for fitting into a stud wall according to DIN 18183 or combined with accessory set Ref. no. 240 008 as an individual element in a front-wall installation.

- made of galvanised, self-supporting and sound-insulated steel construction,
- with pivoting siphon pipe DN 50,
- with rubber nipple 32 mm,
- with all attachment accessories,
- with all installation accessories for element,
- with adjustable footrests 0-220 mm,
- with 2 water connections and 2 sound-insulated wall plates
- with adjustable width to take surface-mounted wall mixers (when fitting a flush-mounted wall mixer, Prod. no. 212 023.99 needs to be ordered.),
- with attachment profile for 3 pairs of support arms (fixed heights),
- with 1 pair of hook-in shelving arms to place on shelf,
- without shelves.

Dimensions: W / H / D 525 / 1120 / 70-120 mm (with waste pipe)
Projection shelf bracket 385 mm

Design

Ref. no.

Installation height 1250 mm
for wall mixers

212 023.xx

For concealed wall-mounted
mixer taps (please specify concealed
fitting when ordering)

212 023.99

BS+ shelving arm set for countertop wash-stand element



- made of steel construction,
- with 1 pair of shelving arms for hooking in
wash-stand element 212023.xx,
- without shelf

Design

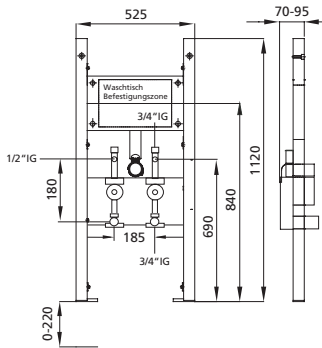
Ref. no.

212 024

BS+ wash basin element for water metres and concealed shut-off valve



NEW



Can be used for fitting into a stud wall according to DIN 18183 or combined with accessory set Ref. no. 240 008 as an individual element in a front-wall installation.

- made of galvanised, self-supporting and sound-insulated steel construction,
- with fastening plate for variable wash-stand installation,
- with pivoting siphon pipe DN 50,
- with rubber nipple 32 mm,
- with all attachment accessories,
- with all installation accessories for element and wash-stand,
- with adjustable footrests 0-220 mm,
- with fitting plate with 2 sound-insulated wall plates, wall panels adjustable in width
- with upper part for the barrier, chrome
- with 2 concealed fittings combination of water metre-shut-off valves made of gun metal including Extension with 1/2" female thread for the additional connection of wash basin/angle valves, including insulation, which is simultaneously intended as mounting aid, gun metal in accordance with DIN EN 1982 and DIN 50930, Part 6, sealing elements made of EPDM (KTW, W270 tested).
- Consisting of: Concealed single pipe connection piece for MTK / MTW-NG (2" EAS) including blank cap and seal kit; concealed piston valve, free of dead space and low pressure loss, DIN-DVGW tested with noise protection according to DIN 4109 (fittings group 1); DIN-DVGW tested with sound insulation according to DIN 4109 (fitting group 1); 2 pieces of soundproofed holders; 2-piece insulation made of Styrofoam - building material class B1, permissible operating pressure PB. 10 bar Perm. operating temperature TB: 90°C, flow substance: drinking water

Dimensions: W / H / D 525 / 1120 / 70-95 mm (with waste pipe)
wash basin mounting dimension max. 375 mm

Design

Installation height 1250 mm
for single hole mixers
For 2 water metres with upper part for the barrier, chrome

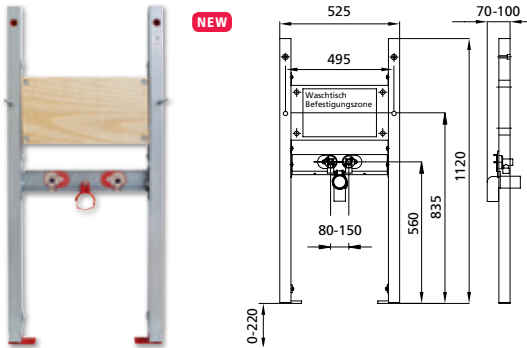
upper part for the barrier, chrome 1/2"

Ref. no.

212 025.xx

961 026

BS+ Plus wash-stand element for single hole mixer connection,
for wash-stand Duravit Scola #68460, #68560



Can be used for fitting into a stud wall according to DIN 18183 or combined with accessory set Ref. no. 240 008 as an individual element in a front-wall installation.

- made of galvanized, self-supporting and sound-insulated steel construction,
- with fastening plate for variable wash-stand installation,
- with pivoting siphon pipe DN 50,
- with rubber nipple 32 mm,
- with all attachment accessories,
- with all installation accessories for element and wash-stand,
- with adjustable footrests 0-220 mm,
- with fitting plate with 2 sound-insulated wall plates, wall panels adjustable in width
- with mounting bolts, distance 495 mm

Dimensions: W / H / D 525 / 1120 / 70-100 mm (with waste pipe)

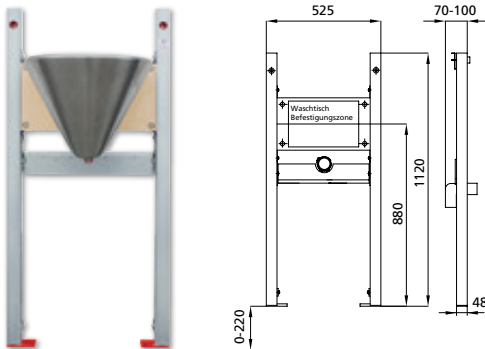
Design

Installation height 1250 mm
for single hole mixers

Ref. no.

212 007.xx

BS+ wash-stand element for wall mixer connection
for Kuhfuss Delabie wash-stand element Bob II, vandal-proof, #135035



Can be used for fitting into a stud wall according to DIN 18183 or combined with accessory set Ref. no. 240 008 as an individual element in a front-wall installation.

made of galvanised, self-supporting and sound-insulated steel construction,
with fastening plate for variable wash-stand installation,
with pivoting siphon pipe DN 50,
with rubber nipple 32 mm,
with all attachment accessories,
with all installation accessories for element and wash-stand,
with adjustable footrests 0-220 mm,
without wash basin stainless steel sink

Dimensions: W / H / D 525 / 1120 / 70-100 mm (with waste pipe)
wash basin mounting dimension max. 375 mm

Special solutions on request

Design

Installation height 1250 mm
for wall mixers

Ref. no.

212 009

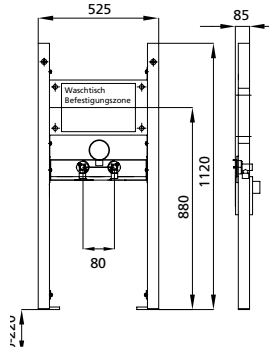
NEW

BS+ Plus wash-stand element for single hole mixer connection,
for Romay RoVabo



Reinforced
UA profiles

NEW



product
design
award
2011

for the ceramic
of Romay Rovabo.

Can be used for fitting into a stud wall according to DIN 18183 or combined with accessory set Ref. no. 240 008 as an individual element in a front-wall installation.

- made of galvanized, self-supporting and sound-insulated steel construction,
- with fastening plate for variable wash-stand installation,
- with pivoting siphon pipe DN 50,
- with rubber nipple 32 mm,
- with all attachment accessories,
- with all installation accessories for element and wash-stand,
- with adjustable footrests 0-220 mm,
- with fitting plate with 2 sound-insulated wall plates with adjustable width,

Dimensions: W / H / D 525 / 1120 / 70-100 mm (with waste pipe)

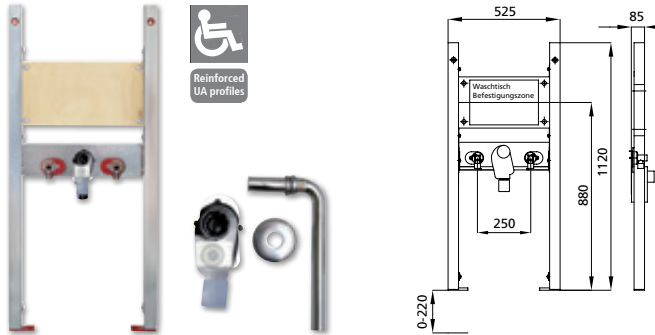
Design

Installation height 1120 mm
for single hole mixers

Ref. no.

212 008.xx

BS+ Plus wash-stand element for single hole mixer connection, barrier-free version with flush-mounted siphon



Can be used for fitting into a stud wall according to DIN 18183 or combined with accessory set Ref. no. 240 008 as an individual element in a front-wall installation.

- made of galvanised, self-supporting and sound-insulated steel construction,
- with fastening plate for variable wash-stand installation,
- with built-in concealed odour trap,
- with connecting bend and cover chrome
- with all attachment accessories,
- with all installation accessories for element and wash-stand,
- with adjustable footrests 0-220 mm,
- with fitting plate with 2 sound-insulated wall plates with adjustable width,

Dimensions: W / H / D 525 / 1120, 980 or 825 / 85 mm
(with waste pipe),
wash basin mounting dimension max. 375 mm

Other flush-mounted siphons on request
Special solutions on request

Design

Ref. no.

Installation height 1120 mm
for single hole mixers

concealed siphon Haas OHA 3500

212 136.xx

concealed siphon Geberit

212 336.xx

concealed siphon Dallmer

212 036.xx

Installation height 980 mm
for single hole mixers

concealed siphon Haas OHA 3500

212 142.xx

concealed siphon Geberit

212 342.xx

concealed siphon Dallmer

212 042.xx

Installation height 825 mm
for single hole mixers

concealed siphon Haas OHA 3500

212 139.xx

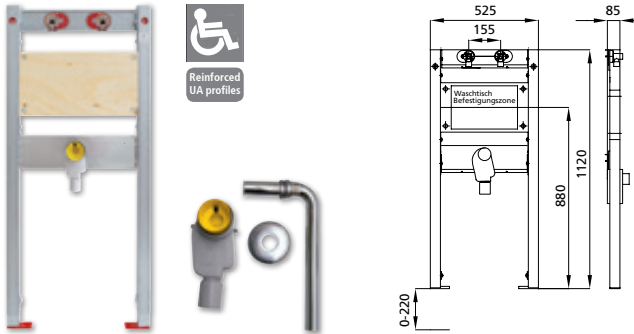
concealed siphon Geberit

212 339.xx

concealed siphon Dallmer

212 039.xx

BS+ wash-stand element for wall mixer connection
barrier-free version with flush-mounted siphon



Can be used for fitting into a stud wall according to DIN 18183 or combined with accessory set Ref. no. 240 008 as an individual element in a front-wall installation.

- made of galvanised, self-supporting and sound-insulated steel construction,
- with fastening plate for variable wash-stand installation,
- with built-in concealed odour trap,
- with connecting bend and cover chrome
- with all attachment accessories,
- with all installation accessories for element and wash-stand,
- with adjustable footrests 0-220 mm,
- with fitting plate with 2 sound-insulated wall plates with adjustable width,
- with siphon cover.

Dimensions: W / H / D 525 / 1120 / 85 mm (with waste pipe)
wash basin mounting dimension max. 375 mm

Other flush-mounted siphons on request
Special solutions on request

Design

Ref. no.

Installation height 1120 mm
for wall mixers

concealed siphon Haas OHA 3500

212 143.xx

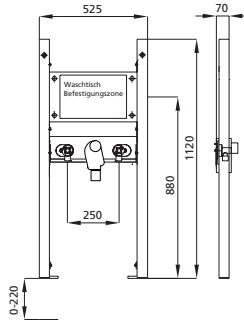
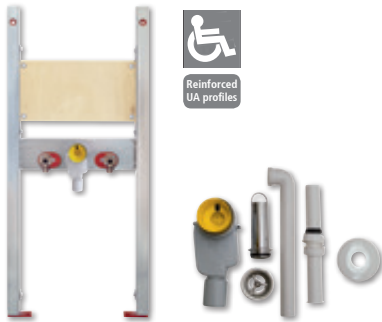
concealed siphon Geberit

212 343.xx

concealed siphon Dallmer

212 043.xx

BS+ Plus wash-stand element for single hole mixer connection, barrier-free version for Paracelsus/Vitalis



Can be used for fitting into a stud wall according to DIN 18183 or combined with accessory set Ref. no. 240 008 as an individual element in a front-wall installation.

made of galvanised, self-supporting and sound-insulated steel construction,
 with fastening plate for variable wash-stand installation
 with built-in flush-mounted siphon
 with connecting bend and cover white and stand pipe chrome
 with all attachment accessories,
 with all installation accessories for element and wash-stand,
 with adjustable footrests 0-220 mm,
 with fitting plate with 2 sound-insulated wall plates with adjustable width,

Dimensions: W / H / D 525 / 1300, 1120 oder 980 / 70 mm
 (with waste pipe),
 wash basin mounting dimension max. 375 mm

Other flush-mounted siphons on request
 Special solutions on request

Design

Ref. no.

Installation height 1300 mm
 for single hole mixers

concealed siphon Haas OHA 3500

213 140.xx

concealed siphon Geberit

213 340.xx

concealed siphon Dallmer

213 040.xx

Installation height 1120 mm
 for single hole mixers

concealed siphon Haas OHA 3500

213 138.xx

concealed siphon Geberit

213 338.xx

concealed siphon Dallmer

213 038.xx

Installation height 980 mm
 for single hole mixers

concealed siphon Haas OHA 3500

213 142.xx

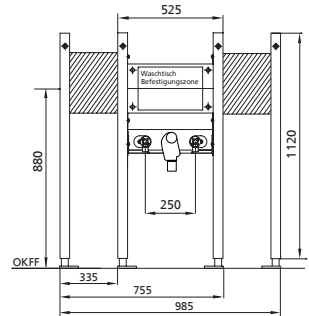
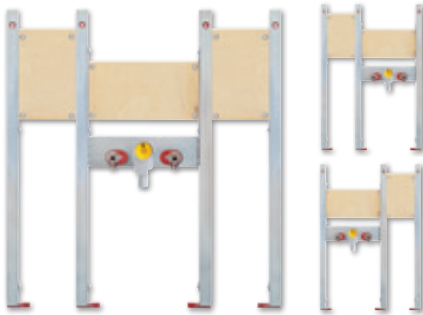
concealed siphon Geberit

213 342.xx

concealed siphon Dallmer

213 042.xx

BS+ Plus wash-stand element for single hole mixer connection, barrier-free version with flush-mounted siphon, incl. mounting element for support rail



Can be used for fitting into a pre-wall installation combined with accessory set Ref. no. 240 008.

- made of galvanised, self-supporting and sound-insulated steel construction,
- with fastening plate for variable wash-stand installation
- with built-in concealed odour trap,
- with connecting bend and cover chrome
- with all attachment accessories,
- with all installation accessories for element and wash-stand,
- with adjustable footrests 0-220 mm,
- with fitting plate with 2 sound-insulated wall plates with adjustable width,
- with mounting plate left and right
- with mounting plate left or right

Dimensions: W / H / D 985 / 1120 / 85 mm (with waste pipe), for 2 mounting elements

Dimensions: W / H / D 755 / 1120 / 85 mm (with waste pipe), for 1 mounting element
wash basin mounting dimension max. 375 mm

Other flush-mounted siphons on request
Special solutions on request

Design

Ref. no.

Installation height 1120 mm
right and left
for single hole mixers

concealed siphon Haas OHA 3500

212 616.xx

concealed siphon Geberit

212 636.xx

concealed siphon Dallmer

212 656.xx

right
for single hole mixers

concealed siphon Haas OHA 3500

212 676.xx

concealed siphon Geberit

212 696.xx

concealed siphon Dallmer

212 646.xx

left
for single hole mixers

concealed siphon Haas OHA 3500

212 160.xx

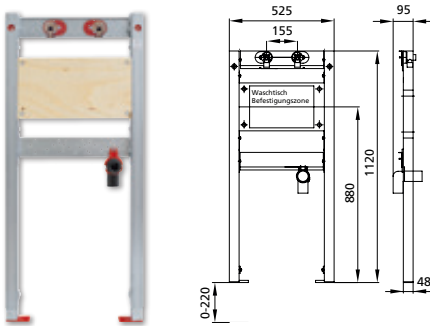
concealed siphon Geberit

212 360.xx

concealed siphon Dallmer

212 460.xx

BS+ sink element for wall mixer connection



Can be used for fitting into a stud wall according to DIN 18183 or combined with accessory set Ref. no. 240 008 as an individual element in a front-wall installation.

made of galvanised, self-supporting and sound-insulated steel construction,
with fastening plate for variable sink installation,
with pivoting siphon pipe DN 50,
with all attachment accessories,
with all installation accessories for element and sink,
with adjustable footrests 0-220 mm,
with fitting plate with 2 sound-insulated wall plates with adjustable width.

Dimensions: W / H / D 525 / 1120 / 95 mm (with waste pipe)
wash basin mounting dimension max. 375 mm

Special solutions on request

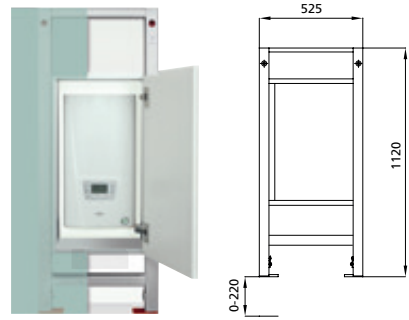
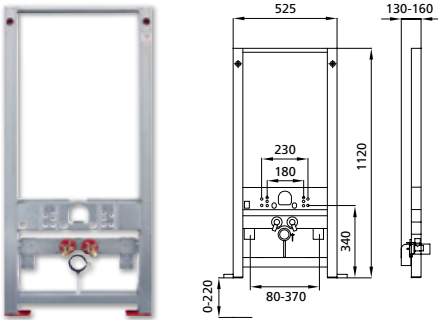
Design

Installation height 1120 mm
for wall mixers

Ref. no.

212 012.xx

BS+ wall-mounted bidet element
and cuccoo furniture element



Can be used for fitting into a stud wall according to DIN 18183 or combined with accessory set Ref. no. 240 008 as an individual element in a front-wall installation.

BS+ wall-mounted bidet element

made of galvanised, self-supporting and sound-insulated steel construction,

- with variable bidet ceramic attachments,
- with pivoting siphon pipe DN 50,
- with rubber nipple 32 mm,
- with all attachment accessories,
- with all installation accessories,
- with adjustable footrests 0-220 mm,
- with 2 sound-insulated wall plates with adjustable width.

Dimensions: W / H / D 525 / 1120, 980 oder 825 / 130-160 mm
(with waste pipe)

Suitable for standard wall-mounted bidets.

BS+ cuccoo furniture element

made of galvanised, self-supporting and sound-insulated steel construction,

- with Mounting frame, including building protection,,
- without furniture element

Dimensions: W / H 525 / 1120

Design

Ref. no.

Installation height 1120 mm

213 002.xx

Installation height 980 mm

223 002.xx

Installation height 825 mm

233 002.xx

Installation height 1120 mm
with 20 cm frame

215 007

NEW

with 30 cm frame

215 008

NEW

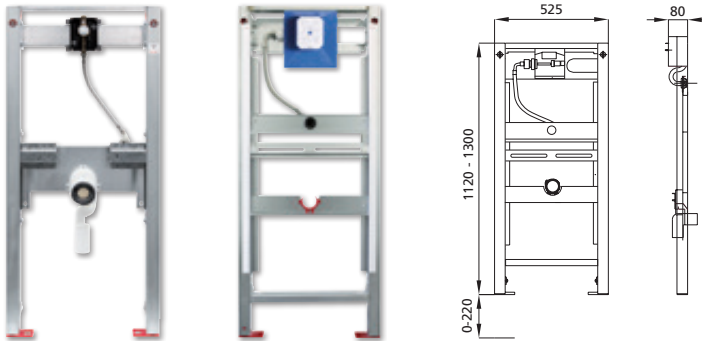
with 40 cm frame

215 009

NEW

On request also for cabinet
with 30 cm width, for
continuous flow heaters,
Cabinet 60 cm width, cabinet
90 cm width, cabinet 120 cm
height and cabinet 180 cm
height

BS+ urinal element with flush-mounted flush valve or shell set



Can be used for fitting into a stud wall according to DIN 18183 or combined with accessory set Ref. no. 240 008 as an individual element in a front-wall installation.

made of galvanised, self-supporting and sound-insulated steel construction,
 with fastening plate for variable urinal installation,
 with adjustable, sound-insulated water supply traverse,
 with adjustable waste traverse,
 with pivoting waste pipe DN 50,
 with pre-assembled flush-mounted flush valve or shell set,
 with protection cap for inspection opening,
 with all attachment accessories,
 with all installation accessories for element and urinal,
 with adjustable footrests 0-220 mm,
 with connection 1/2",
 mit suction siphon (#255 101, 255 102, 255 103 and 255 104 without),
 mit urinal connection fittings (#255 101, 255 102, 255 103 und 255 104 without),
 without flush button.

Dimensions: W / H / D 525 / 1120-1250 / 80 mm
 Suitable for all standard urinals.

Design

Ref. no.

Installation height 1120 mm

Burda flush valve U-02

214 029

GroheDAL
 shell set Rapido U

214 019

for Keramag Joly,
 with GroheDAL
 shell set Rapido U

255 101

for Keramag Joly,
 with Burda flush valve U-02

255 103

for Keramag Visit,
 with GroheDAL
 shell set Rapido U

255 102

for Keramag Visit,
 with Burda flush valve U-02

255 104

as empty element
 without flush valve

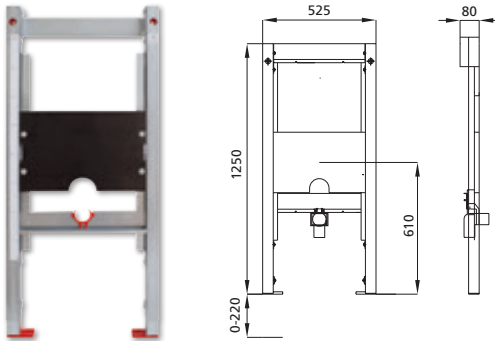
214 556

Installation height 1250 mm

as empty element
 without flush valve

214 558

BS+ urinal element
for urinal bowl Exclusiv Flush-free – waterless #551360



Can be used for fitting into a stud wall according to DIN 18183 or combined with accessory set Ref. no. 240 008 as an individual element in a front-wall installation.

made of galvanised, self-supporting and sound-insulated steel construction,
with fastening plate for variable urinal installation,
with adjustable waste traverse,
with pivoting waste pipe DN 50,
with all attachment accessories,
with all installation accessories for element and urinal,
with adjustable footrests 0-220 mm,

Dimensions: W / H / D 525 / 1250 / 80 mm

Design

Installation height 1250 mm

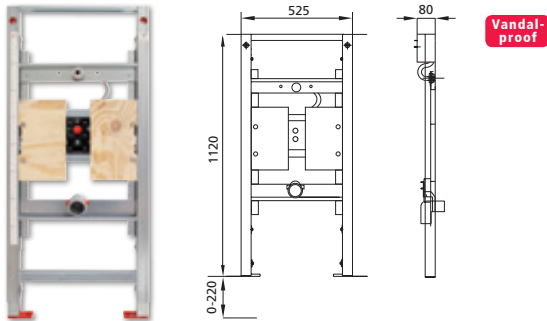
as empty element

Ref. no.

214 555

NEW

BS+ urinal element with Flowtronik flush-mounted shell set



Can be used for fitting into a stud wall according to DIN 18183 or combined with accessory set Ref. no. 240 008 as an individual element in a front-wall installation.

- made of galvanised, self-supporting and sound-insulated steel construction,
- with fastening plate for variable urinal installation,
- with adjustable, sound-insulated water supply traverse,
- with adjustable waste traverse,
- with pre-assembled shell set with 230 V connection, valve block with water cut-off,
- with functions: standard and stadium mode, timed flush,
- with protection cap for inspection opening,
- with all attachment accessories,
- with all installation accessories for element and urinal,
- with adjustable footrests 0-280 mm,
- with connection 1/2",
- with urinal connection fittings.

Dimensions: W / H / D 525 / 1120 / 80 mm
 Suitable for standard urinals with horizontal outlet backwards (vertical outlet on request).

Not suitable for urinals with moulded suction siphon, e.g. V&B Omnia Pro #7502 00, #7503 00, #7504 00 etc.

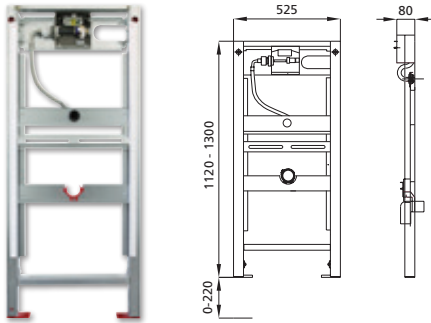
Design

Installation height 1120 mm

Ref. no.

214 800

BS+ urinal element with flush-mounted electronics or shell set



Can be used for fitting into a stud wall according to DIN 18183 or combined with accessory set Ref. no. 240 008 as an individual element in a front-wall installation.

made of galvanised, self-supporting and sound-insulated steel construction,
 with fastening plate for variable urinal installation,
 with adjustable, sound-insulated water supply traverse,
 with adjustable waste traverse,
 with pre-assembled shell set
 with protection cap for inspection opening,
 with all attachment accessories,
 with all installation accessories for element and urinal,
 with adjustable footrests 0-220 mm,
 with connection 1/2",
 with suction siphon,
 with urinal connection fittings.

Dimensions: W / H / D 525 / 1250 / 80 mm
 Suitable for all standard urinals.

Not suitable for urinals with moulded suction siphon,
 e.g. V&B Omnia Pro #7502 00, #7503 00, #7504 00 etc.

Design

Ref. no.

Installation height 1250 mm

Geberit shell set Universal
 for HyTronic and HyTouch

214 712

Geberit shell set Universal
 for HyBasic

214 702

Geberit shell set Universal
 for Duravit D-Code

214 713

GroheDAL
 Universal shell set Rapido U

214 019

Installation height 1120 mm

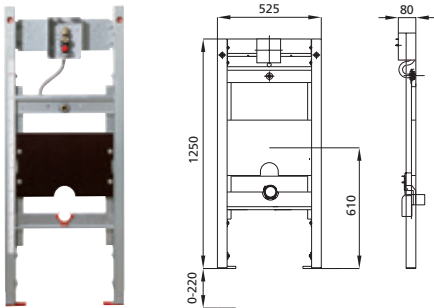
for Keramag Flushcontrol

214 856

for Duravit Utronic

214 506

BS+ urinal element with flush-mounted electronics or shell set



examples

Can be used for fitting into a stud wall according to DIN 18183 or combined with accessory set Ref. no. 240 008 as an individual element in a front-wall installation.

made of galvanised, self-supporting and sound-insulated steel construction,
 with fastening plate for variable urinal installation,
 with adjustable, sound-insulated water supply traverse,
 with adjustable waste traverse,
 with pre-assembled shell set
 with protection cap for inspection opening,
 with all attachment accessories,
 with all installation accessories for element and urinal,
 with adjustable footrests 0-220 mm,
 with connection 1/2",
 with suction siphon,
 with urinal connection fittings.

Dimensions: W / H / D 525 / 1250 / 80 mm
 Suitable for all standard urinals.

Not suitable for urinals with moulded suction ciphon,
 e.g. V&B Omnia Pro #7502 00, #7503 00, #7504 00 etc.

Design

Installation height 1250 mm

Burda shell set for infrared electronic, BurdaTronic U-09

214 991.60

Burda shell set for infrared electronic BurdaTronic U-01, U-02 und U-04

214 994

Discontinued

Burda shell set for infrared electronic, 230 V (matt chrome) BurdaTronic U-04

214 993.50

Discontinued

Burda shell set for infrared electronic, 230 V (white) BurdaTronic U-04

214 993.00

Discontinued

Burda shell set for infrared electronic, 9 V (matt chrome) BurdaTronic U-04

214 992.50

Discontinued

Burda shell set for infrared electronic, 230 V (stainless steel) BurdaTronic U-01

214 998.60

Discontinued

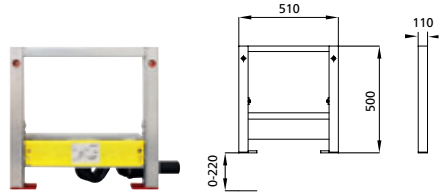
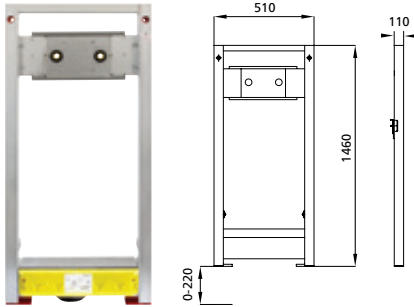
Burda shell set for infrared electronic, 9 V battery (white) BurdaTronic U-02

214 996.00

Discontinued

Ref. no.

BS+ shower element with pre-assembled Geberit-waste pipe



Can be used for fitting into a stud wall according to DIN 18183 or combined with accessory set Ref. no. 240 008 as an individual element in a front-wall installation.

- made of galvanised, self-supporting and sound-insulated steel construction,
- with all attachment and installation accessories,
- with adjustable footrests 0-220 mm,
- with 2 sound-insulated wall ducts with adjustable width or mountings for conventional concealed fittings.
- with pre-assembled Geberit shower drain for draining floor-level showers

Dimensions: W / H / D 525 / 1460 / 80 mm

Dimensions: W / H / D 525 / 500 / 80 mm

Design

Ref. no.

Installation height 1460 mm

for wall-mounted fittings

230 120

NEW

for flush-mounted valves

218 010

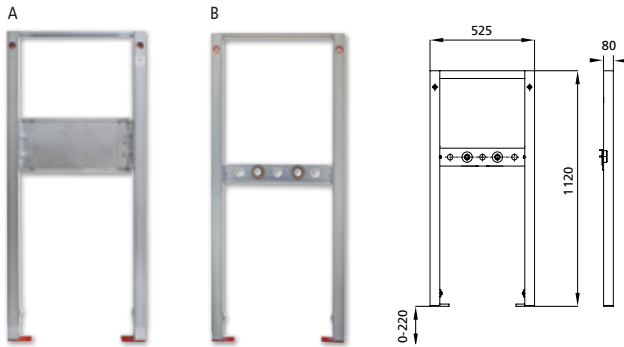
NEW

Installation height 500 mm

230 125

BS+ element for wall-mounted / flush-mounted fittings

BS+ element for wall-mounted / flush-mounted fitting



Can be used for fitting into a stud wall according to DIN 18183 or combined with accessory set Ref. no. 240 008 as an individual element in a front-wall installation.

made of galvanised, self-supporting and sound-insulated steel construction,
with all attachment and installation accessories,
with adjustable footrests 0-220 mm,
with 2 sound-insulated wall ducts with adjustable width or mountings for conventional concealed fittings.

Dimensions: W / H / D 525 / 1120 / 80 mm

Design

Installation height 1120 mm

A: for flush-mounted fittings

B: for wall-mounted fittings

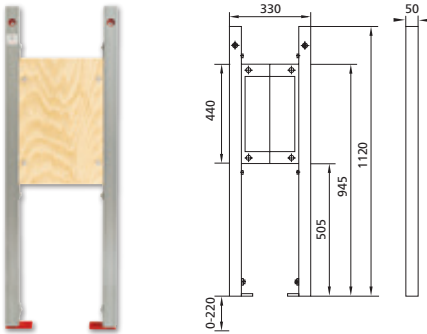
Ref. no.

218 007

230 108.xx

BS+ fastening element

For fitting grab, support and folding handles etc.



Can be used for fitting into a stud wall according to DIN 18183 or combined with accessory set Ref. no. 240 008 as an individual element in a front-wall installation.

For fitting grab, support and folding handles etc.

- made of galvanised, self-supporting and sound-insulated steel construction,
- with built-in fastening plate made of plywood (250 mm high, 30 mm thick) for individually fastening heavy loads,
- with all attachment and installation accessories,
- with adjustable footrests 0-220 mm,

Dimensions: W / H / D 330 / 1120 oder 980 / 50 mm

Design

Installation height 1120 mm

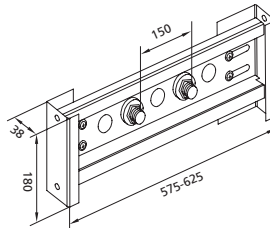
Installation height 980 mm

Ref. no.

240 022

241 022

BS+ universal fitting plate for wall-mounted fittings



Design

Ref. no.

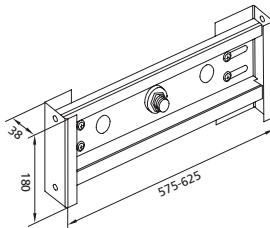
Can be used for fitting into a stud wall according to DIN 18183

215 006.xx

made of galvanised sheet metal construction,
with side attachment option to CW profiles on a stud wall,
with all attachment accessories,
with all installation accessories,
with 2 sound-insulated wall ducts with adjustable width.

Dimensions: W / H / D 575-625 / 180 / 38 mm

BS+ universal fitting plate for wall-mounted fittings



Design

Ref. no.

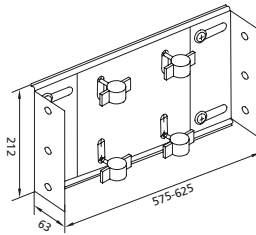
Can be used for fitting into a stud wall according to DIN 18183

216 210.xx

made of galvanised sheet metal construction,
with side attachment option to CW profiles on a stud wall,
with all attachment accessories,
with all installation accessories,
with a sound-insulated wall duct

Dimensions: W / H / D 575-625 / 180 / 38 mm

BS+ Plus universal fitting plate for flush-mounted valves



Can be used for fitting into a stud wall according to DIN 18183

made of galvanised sheet metal construction,
with side attachment option to CW profiles on a stud wall,
with all attachment and installation accessories,
with a sound-insulated wall duct.
with 4 sound-insulated pipe clips to take the flush-mounted fitting

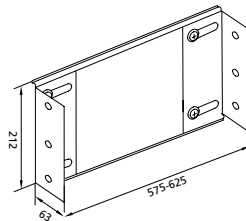
Dimensions: W / H / D 575-625 / 212 / 63 mm

Design

Ref. no.

216 003

BS+ traverse for Washing machine



Can be used for fitting into a stud wall according to DIN 18183

made of galvanised sheet metal construction,
with side attachment option to CW profiles on a stud wall,
with all attachment accessories,
with all installation accessories,
with concealed siphon WM and 1/2" connection.

Dimensions: W / H / D 575-625 / 212 / 63 mm

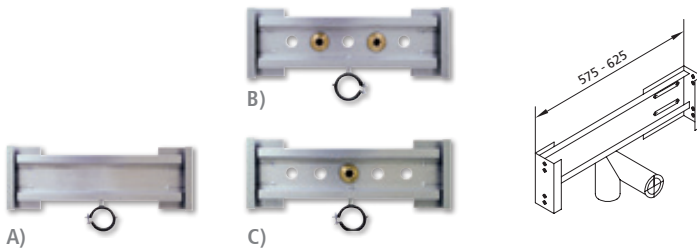
Design

Ref. no.

with concealed siphon WM
and 1/2" connection

216 004

BS+ waste traverse for stud wall



Can be used for fitting into a stud wall according to DIN 18183

made of galvanised sheet metal construction,
 with side attachment option to CW profiles on a stud wall,
 with all attachment accessories,
 with all installation accessories,
 with pivoting siphon pipe DN 50.

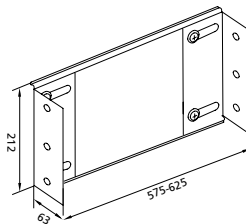
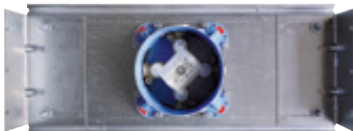
Design

- A) waste traverse
- B) or kitchen sink,
incl. 1/2" connection
- C) for washing machine connection,
incl. 1/2" connection

Ref. no.

- 215 013
- 216 100.xx
- 216 105.xx

BS+ fitting plate with flush-mounted shell set Ideal Standard Easy-Box #A1000NU



Can be used for fitting into a stud wall according to DIN 18183

made of galvanised sheet metal construction,
 with side attachment option to CW profiles on a stud wall,
 with all attachment accessories,
 with all installation accessories,

Dimensions: W / H / D 575-625 / 212 / 63 mm

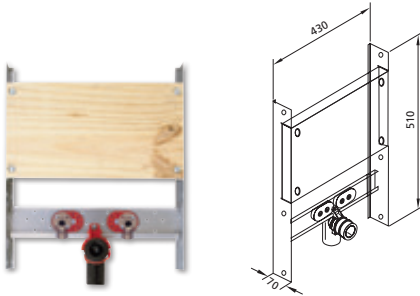
Design

- with flush-mounted shell set
Ideal Standard Easy-Box #A1000NU
- with flush-mounted shell set
Kludi Flexx-Boxx #88077
- without flush-mounted shell set
suitable for Ideal Standard Easy-Box
#A1000NU and
Kludi Flexx-Boxx #88077

Ref. no.

- 215 021
- 215 022
- 215 023

BS+ wash-stand traverse
for single hole mixer connection



Can be used for fitting into a stud wall according to DIN 18183

made of galvanised steel construction,
with fastening plate for variable wash-stand installation,
with pivoting siphon pipe DN 50,
with rubber nipple 32 mm,
with all attachment accessories,
with all installation accessories for element and wash-stand,
with fitting plate for wall plates,
with 2 sound-insulated connection attachments,
with wall plates.

Dimensions: W / H / D 430 / 510 / 70 mm

Design

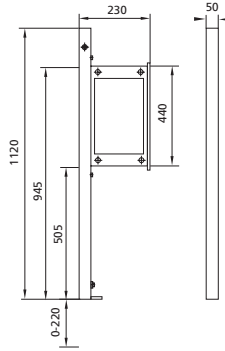
Ref. no.

230 300.xx

BS+ right/left holding element with one foot
For fitting grab, support and folding handles etc.



NEW



Can be used for fitting into a stud wall according to DIN 18183

made of galvanised, self-supporting and sound-insulated steel construction, with one profile, with built-in fastening plate made of plywood (250 mm high, 30 mm thick) for individually fastening heavy loads, with all attachment and installation accessories, with adjustable footrests 0-220 mm,

Dimensions: W / H / D 230 / 1120 or 980 / 50 mm

Design

Ref. no.

Installation height 1120 mm

right

240 023

left

240 024

Installation height 980 mm

right

240 043

left

240 044

BS+ /SANTRO Support brackets
for toilet ceramic bowls
with small bearing surface



Design

Ref. no.

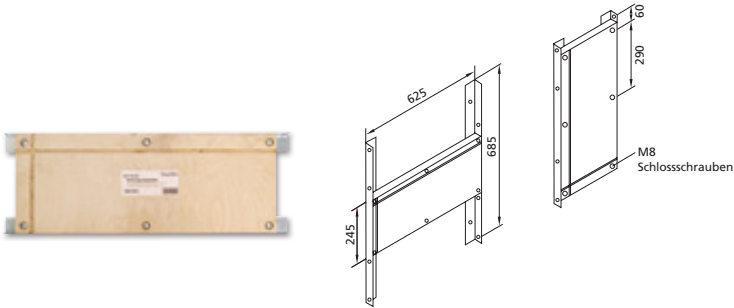
For additional support of toilet ceramic bowls with a bearing surface smaller 17 cm (e.g. Flaminia, Sentique)

1 pair

216 400

BS+ universal fastening plate

For fitting grab, support and folding handles etc.



Can be used for fitting into a stud wall according to DIN 18183

For fitting grab, support and folding handles, mirrors etc..

made of galvanised steel construction,
with built-in fastening plate made of plywood
(245 mm high, 30 mm thick)
for individually fastening heavy loads,
with all attachment accessories,
with all installation accessories

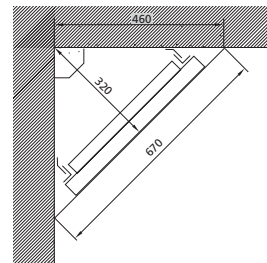
Dimensions: W / H / D 625 / 685 / 30 mm

Design

Ref. no.

240 015

BS+ corner installation set



For installing BS+ elements as a 45° corner solution.

made of galvanised assembly brackets,
with additional corner planking support plate on top,
with all attachment accessories,
with all installation accessories.

Design

Ref. no.

218 106

BS+ side edge element, right/left



Can be used for fitting into a pre-wall installation combined with accessory set Ref. no. 240 008.

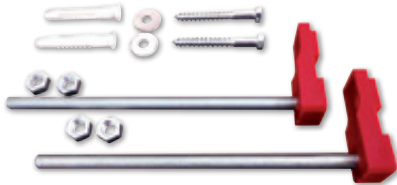
For extending a length of expansion and for bridging distances over 625 mm width between sanitary modules and so on.

made of galvanised, self-supporting and sound-insulated steel construction,
 with all attachment and installation accessories,
 with adjustable footrests 0-220 mm,

Dimensions: W / H / D 335 / 1120 / 980 or 825 / 50 mm

| Design | Ref. no. |
|------------------------------------|------------|
| Installation height 1120 mm | |
| right | 219 001 |
| left | 219 002 |
| Installation height 980 mm | |
| right | on request |
| left | on request |
| Installation height 825 mm | |
| right | on request |
| left | on request |

BS+ accessory set for front-wall installation



with 2 sound-insulated wall supports M10,
with all attachment accessories,
with all installation accessories.

Design

Ref. no.

240 008

BS+ Extension for a front-wall set
(240 008) up to 400 mm



Design

Ref. no.

240 010

5 – 58 BS+

59 – 64 **Corner Elements**

65 – 80 Kombiset

81 – 86 Flushing Systems

87 – 88 Support Brackets

89 – 111 Plano - X

Corner Elements

Description of system

1.1 WC corner element

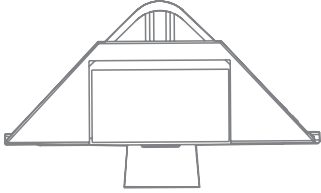
The Burda WC corner element with its optimal dimensions of 515x390x265mm is equipped at the factory for flushing either from the front or the top. It therefore leaves nothing to be desired in terms of design and individual qualities of use. Combined with bathroom furniture and optical enlargers like mirrors, Burda corner elements can be used to create smart solutions even with difficult floor plans.

1.2 Application area

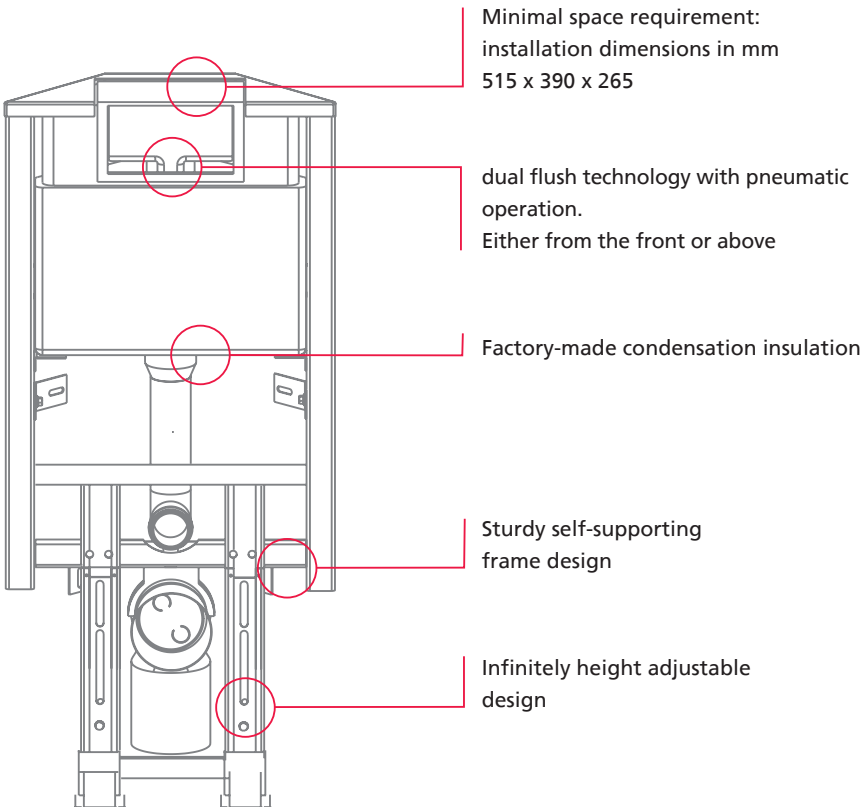
Anywhere where the priority is on achieving a convenient and space-enhancing bathroom design, there is a demand for solutions that can be implemented quickly and cost-effectively. As 50% of all bathrooms in need of renovation are smaller than 4.5sqm, there is a particular demand for a solution that creates space, where arranging sanitary units in the corners has already proved successful. The range of Burda corner elements allows convenient solutions to be realised according to the user's individual requirements even in small, tight and awkwardly shaped bathrooms and guest toilets.

1.3 Benefits

The WC corner elements ideally lend themselves as problem-solvers and design features, particularly in small bathrooms and guest toilets. The cost-effectiveness of the corner elements is distinguished by their excellent use of space and quick, simple assembly. The range of WC, bidet, urinal and wash-stand elements is almost indispensable for modern bathroom design. A special feature is the dual flush button, which can be attached either from the front or from above.

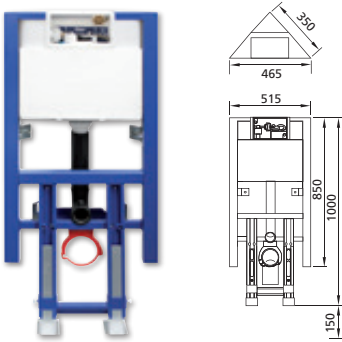


- only 515 mm diagonal fitting space
- almost maintenance-free pneumatic flush system
- dual flush technology
- choice of front or top flush
- footrests 150 mm height adjustable
- sound and condensation-insulated
- sturdy, self-supporting design, quick and easy assembly



Corner Elements

Corner WC element for wall-mounted WC



Can be used for fitting into a stud wall according to DIN 18183

Dual flush activation from front or top.
Suitable for flush button T921.
Suitable for standard wall-mounted WCs.

made of powder-coated, self-supporting and soundinsulated steel construction,
with WC ceramic attachments 180 and 230 mm,
with waste pipe DN 80 / 80,
with 2-piece (with reducer DN 100),
with wall-mounted WC connection fittings,
with built-in, condensation-insulated dual flush
flush-mounted cistern K951,
with protection cap for inspection opening,
with construction plugs for supply and waste pipe,
with top + front firecheck plasterboard panel,
with all attachment accessories,
with all installation accessories,
with adjustable footrests 0-150 mm,
with corner valve, 1/2"
without flush plate.

Dimensions: W / H / D 515 / 1000 / 265 mm
Diagonal sides 390 mm

Design

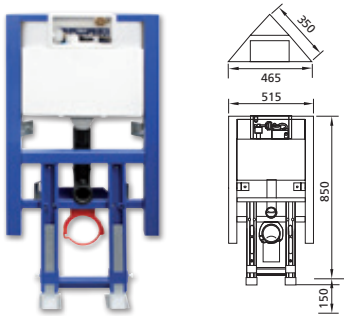
Dual flush
connection 1/2"

All toilets
compatible with Duravit Sensowash® C

Ref. no.

211 910.xx

Corner WC element for wall-mounted WC



Can be used for fitting into a stud wall according to DIN 18183

Dual flush activation from front or top.
Suitable for flush button T921.
Suitable for standard wall-mounted WCs

made of powder-coated, self-supporting and soundinsulated steel construction,
with reduced shelf height,
with WC ceramic attachments 180 and 230 mm,
with waste pipe DN 80 / 80,
2-piece (with reducer DN 100),
with wall-mounted WC connection fittings,
with built-in, condensation-insulated dual flush flush-mounted cistern K961,
with protection cap for inspection opening,
with construction plugs for supply and waste pipe,
with top + front firecheck plasterboard panel,
with all attachment accessories,
with all installation accessories,
with adjustable footrests 0-150 mm,
with corner valve, 1/2"
without flush plate.

Dimensions: W / H / D 515 / 850 / 265 mm
Diagonal sides 390 mm

Note:

The toilet lid stays only in the open position when the distance of the wall to the toilet cover measures > 25 mm.
When using WC ceramics such as from Keramag:
Renova No. 1, Comprimo 204550, Joly 203060
V&B: Viala 765310, Viala 765210 the flush button must be fitted from above.

Design

Dual flush
connection 1/2"

All toilets
compatible with Duravit Sensowash® C

Ref. no.

211 911.xx

5 – 58 BS+

59 – 64 Corner Elements

65 – 80 Kombiset

81 – 86 Flushing Systems

87 – 88 Support Brackets

89 – 111 Plano - X

Kombiset

Solid construction installation system for subsequent bricking up

Description of system

1.1 Kombiset

For decades the Kombiset has been the tried and tested standard element for installing wall-mounted sanitary units such as bidets, wash-stands, urinals and toilets. The WC elements can be supplied with a large selection of different flush-mounted cisterns.

1.2 Scope of delivery

Besides the pre-assembled elements with aligned connections, the Kombiset range always includes the accessories required for the structural work such as water connection, waste pipe and attachment fittings.



For solid construction



Fire protection
DIN 4102



Choice of connections



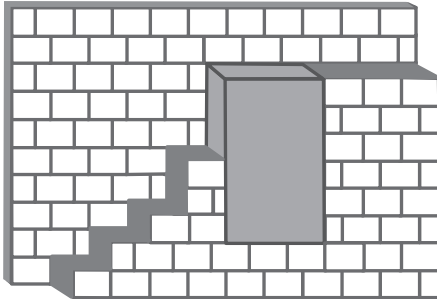
Materials used



DVGW
standard

1.3 Application area

The Kombiset is a solid construction installation system for subsequent bricking up. The Kombiset's application area is on building sites, where there is also a bricklayer on site and the building time is not an issue. In this case the fitter simply fits the elements onto a concreted or brickwork wall. Bricking the elements in or up into a front wall is then the job of the bricklayer.



In solid wall

Kombiset

Solid construction installation system for subsequent bricking up

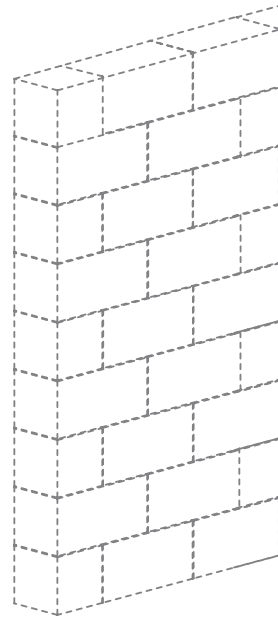
Description of system

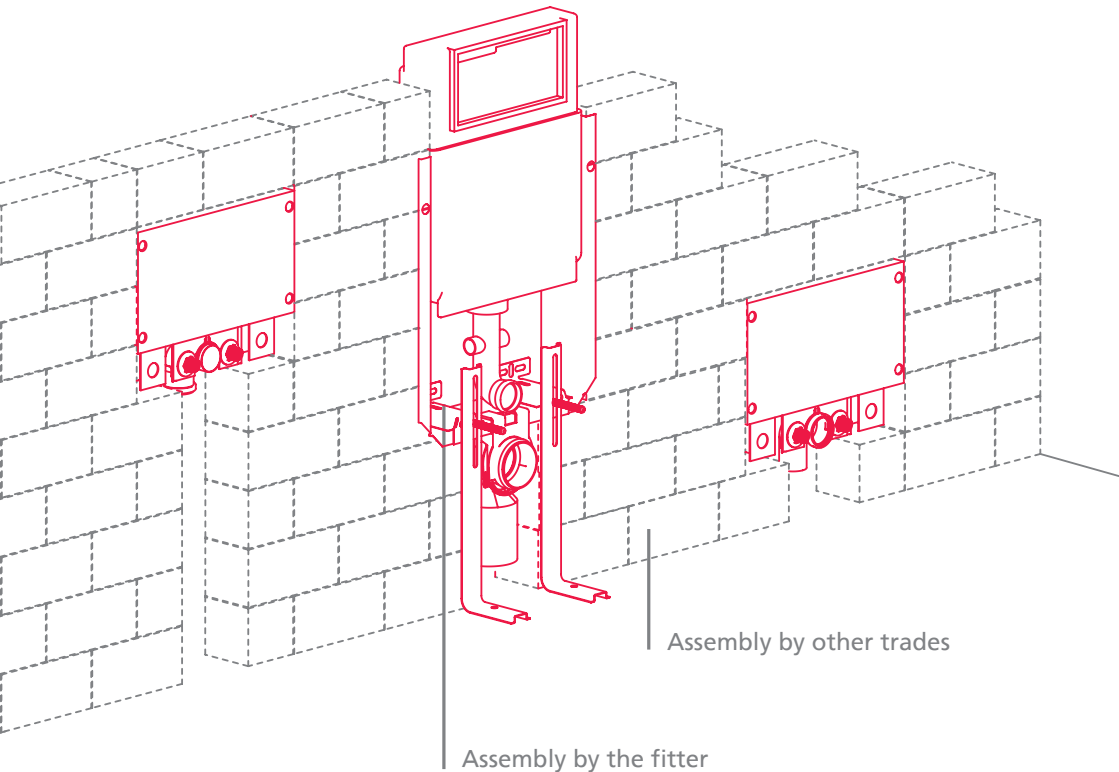
1.4 Benefits

This installation method, where the elements are subsequently bricked up, is as simple as it is reliable.

1.4.1 Minimal effort

Installing a Burda Kombiset requires a minimum of measuring, planning and work preparation on the part of the fitter. With this kind of front wall installation, the amount of work for the fitter remains low overall, also because a large share of the work required falls to other trades.

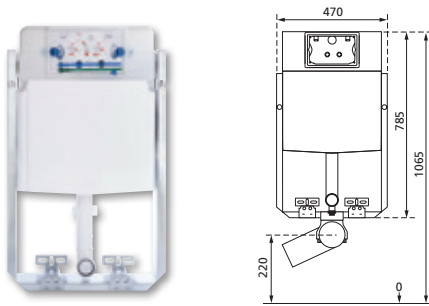




Assembly by other trades

Assembly by the fitter

Type Kombiset WC K610



For installation in a bricked front-wall
in front of a solid wall

- with installation unit, galvanised with four attachment points
- with built-in, condensation-insulated flush-mounted cistern
- with ceramic attachment M12, gap of 18 or 23 cm
- with waste attachment
- with pivoting waste pipe DN 80 / 100
- with wall-mounted WC connection fittings
- with protection cap for inspection opening
- with connection hose and corner valve

Dimensions: W / H / D 470 (490) / 1065 / 120 mm

Design

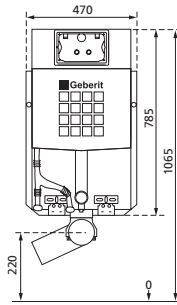
with cistern K610
with dual flush for flush button
T610 and T611
and much more

All toilets
compatible with Duravit Sensowash® C

Ref. no.

510 003.xx

Type Kombiset WC Geberit



For installation in a bricked front-wall
in front of a solid wall

- with installation unit, galvanised with four attachment points
- with built-in, condensation-insulated flush-mounted cistern,
- with ceramic attachment M12, gap of 18 or 23 cm
- with waste attachment
- with pivoting waste pipe DN 80 / 100
- with wall-mounted WC connection fittings
- with protection cap for inspection opening
- with connection hose and corner valve 1/2" (only with UP-SPK Delta)
- with water connection 1/2" AG with integrated corner valve (only with UP-SPK Sigma)

Dimensions: W / H / D 470 / 1065 / 120 mm

Design

Ref. no.

Geberit UP-SPK Delta
for flush buttons Delta 11,
15, 21, 40, 50

511 010.99

Geberit UP-SPK Sigma
for flush buttons Tango,
Mambo, Bolero und Sigma

511 109.xx

Geberit UP-SPK Omega
for flush buttons Omega

511 880.xx

All toilets
compatible with Duravit Sensowash® C
Geberit concealed cistern
compatible with Geberit AquaClean

Type Kombiset WC Geberit Öko,

As before, but without individual packaging

- with water connection 1/2" AG with integrated corner valve (only with UP-SPK Sigma)

Dimensions: W / H / D 470 / 1065 / 120 mm

Design

Ref. no.

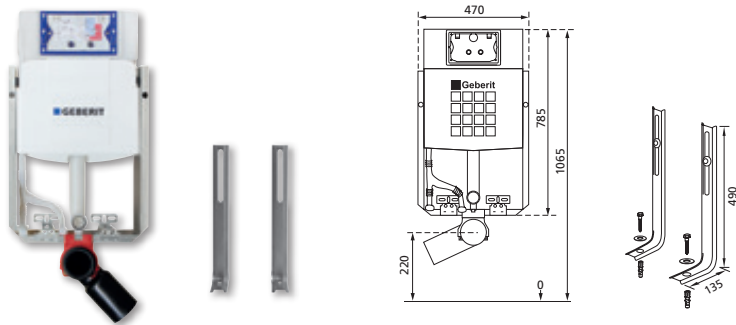
Geberit UP-SPK Sigma
for flush buttons Tango,
Mambo, Bolero und Sigma

511 116.xx

All toilets
compatible with Duravit Sensowash® C
Geberit concealed cistern
compatible with Geberit AquaClean

Kombiset WC elements

Type Kombiset WC TS with support bars



For installation in a bricked front-wall in front of a solid wall

- with installation unit, galvanised with four attachment points
- with built-in, condensation-insulated flush-mounted cistern, ceramic attachment M12, gap of 18 or 23 cm
- with waste attachment
- with pivoting waste pipe DN 80 / 100
- with wall-mounted WC connection fittings
- with protection cap for inspection opening
- with connection hose and corner valve 1/2"
- with water connection 1/2" AG with integr. corner valve

Dimensions: W / H / D 470 / 1065 / 120 mm

Design

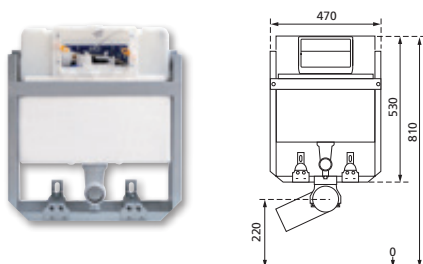
Geberit UP-SPK Sigma for flush buttons Tango, Mambo, Bolero und Sigma

All toilets compatible with Duravit Sensowash® C
Geberit concealed cistern compatible with Geberit AquaClean

Ref. no.

511 118.xx

Type Kombiset WC 82,5 cm



For installation in a bricked front-wall in front of a solid wall

- like before, but with dual flush flush-mounted cistern K921
- with connection hose and corner valve 1/2"
- without support bars

Dimensions: W / H / D 470 / 810 / 120 mm

Note:

The toilet lid stays only in the open position when the distance of the wall to the toilet cover measures > 25 mm. When using WC ceramics such as from Keramag: Renova No. 1, Comprimo 204550, Joly 203060 V&B: Viala 765310, Viala 765210 the flush button must be fitted from above.

Design

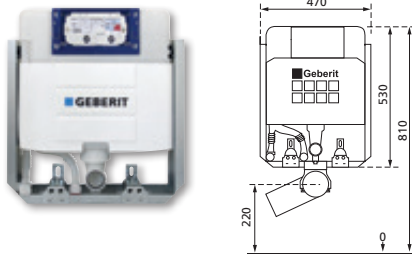
Burda K921
Activation from front / top
suitable for flush button T921

All toilets compatible with Duravit Sensowash® C

Ref. no.

523 556.xx

Type Kombiset WC Geberit 82,5 cm



Note:

The toilet lid stays only in the open position when the distance of the wall to the toilet cover measures > 25 mm. When using WC ceramics such as from Keramag: Renova No. 1, Comprimo 204550, Joly 203060 V&B: Viala 765310, Viala 765210 the flush button must be fitted from above.

For installation in a bricked front-wall
in front of a solid wall

- with installation unit, galvanised with four attachment points
- with built-in, condensation-insulated flush-mounted cistern,
- with ceramic attachment M12, gap of 18 or 23 cm
- with waste attachment
- with pivoting waste pipe DN 80 / 100
- with wall-mounted WC connection fittings
- with protection cap for inspection opening
- with water connection 1/2" AG with integrated corner valve
- with Geberit flush-mounted cistern
- without support bars

Dimensions: W / H / D 470 / 810 / 120 mm

Design

Geberit UP-SPK Omega
Activation from front / top
for flush buttons Omega

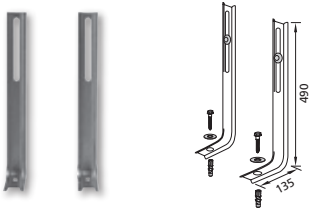
All toilets
compatible with Duravit Sensowash® C
Geberit concealed cistern
compatible with Geberit AquaClean

Ref. no.

511 890.xx

Kombiset WC elements

Support bars TS



Assembly aid for freestanding installation of the Kombiset WC elements or to take the weight of WC ceramics.
1 pair.

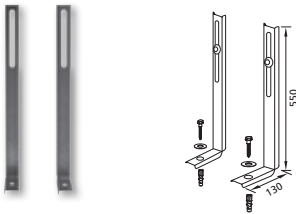
Design

Support bars TS

Ref. no.

550 039

Support bars TSV



Assembly aid for freestanding installation of the Kombiset WC elements or to take the weight of WC ceramics. Extended by 100 mm however for disabled WC or with extra screed.
1 pair.

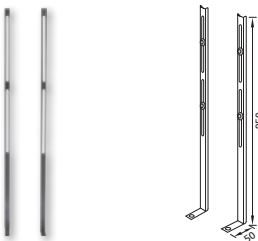
Design

Support bars TSV

Ref. no.

550 022

Support bars TSU



Assembly aid for freestanding installation of the Kombiset urinal elements or to take the weight of urinal ceramics.
1 pair.

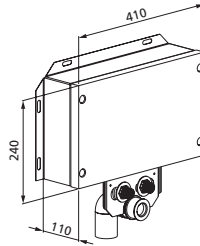
Design

Support bars TSU

Ref. no.

550 046

Type Kombiset KWS



For installation in a bricked front-wall
in front of a solid wall

Installation element for wash-stand
with waste support
with siphon pipe DN 50
with 2 adjustable brass fitting connections,
with fastening material, sound-insulated.

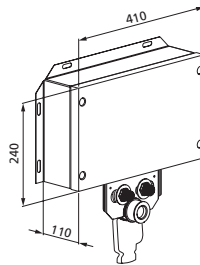
Dimensions: W / H / D 410 / 240 / 110 mm

Design

Ref. no.

520 131.xx

Type Kombiset BF, barrier-free version



For installation in a bricked front-wall
in front of a solid wall

Installation element for wash-stand
with waste support
with cover (rosette)
with 2 adjustable brass fitting connections,
with fastening material, sound-insulated.

Dimensions: W / H / D 410 / 240 / 110 mm

Other flush-mounted siphons on request

Design

Ref. no.

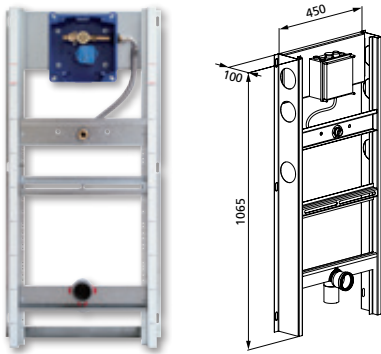
Haas OHA 3500

520 241.xx

Geberit high gloss chrome

520 261.xx

Kombiset urinal with flush-mounted flush valve or shell set



For installation in a bricked front-wall
in front of a solid wall

**Complete pre-assembled installation unit for bricking up
made of galvanised steel frame, with attachment material,
waste pipe DN 50 and urinal fastening, without element-
feet and flush button.**

with suction siphon,
with urinal connection fittings.

Dimensions: W / H / D 450 / 1065 / 100 mm

Design

shell set GroheDAL RapidoU

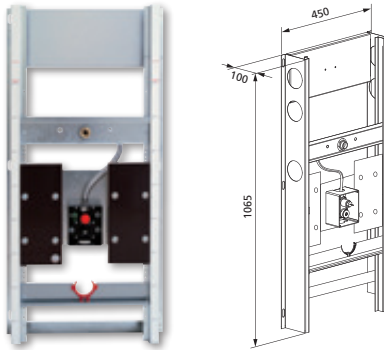
flush valve Burda U-02

Ref. no.

542 034

542 054

Kombiset urinal with flush-mounted shell set Flowtronik



For installation in a bricked front-wall
in front of a solid wall

Complete pre-assembled installation unit for bricking up made of galvanised steel frame,

with urinal attachment, material connection 1/2",
with waste pipe DN 50,
with Flowtronik shell set with 230 V connection,
with valve block with water cut-off,
with functions: standard and stadium mode, timed flush,
with flex hose,
with suction siphon,
with urinal connection fittings.
without element feet.

Dimensions: W / H / D 450 / 1065 / 100 mm

Not suitable for urinals with moulded suction siphon, e.g.
V&B Omnia Pro #7502 00, #7503 00, #7504 00.

Design

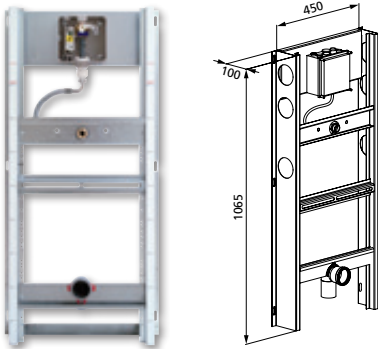
Ref. no.

540 000

Attention!

When using a stainless steel
urinal, we ask you to please
contact our hotline
+49 211 950 01-0 beforehand!

Kombiset urinal with flush-mounted shell set



For installation in a bricked front-wall
in front of a solid wall

**Complete pre-assembled installation unit for bricking up
made of galvanised steel frame,**

with urinal attachment material,
with waste pipe DN 50,
with electronics or shell set,
with suction siphon,
with urinal connection fittings
without element feet.

Dimensions: W / H / D 450 / 1065 / 100 mm

Not suitable for urinals with moulded suction siphon, e.g.
V&B Omnia Pro #7502 00, #7503 00, #7504 00.

Design

Installation height 1065 mm

with Geberit Universal shell set
for HyTronic and HyTouch controls

with Geberit Universal shell set
for HyBasic control

with Geberit Universal shell set
for Duravit D-Code,
for HyTronic and HyTouch controls

with GroheDAL
Universal shell set Rapido U

with Burda shell set for infrared
electronic 230 V (stainless steel)
BurdaTronic U-01

with Burda shell set for infrared
electronic 230 V (white)
BurdaTronic U-04

with Burda shell set for infrared
electronic 9 V battery (white)
BurdaTronic U-04

with Burda shell set for infrared
electronic BurdaTronic U-09

with Burda shell set for infrared
electronic BurdaTronic U-01, U-02
and U-04

Ref. no.

523 623

523 613

543 131

542 044

543 181.60
Discontinued

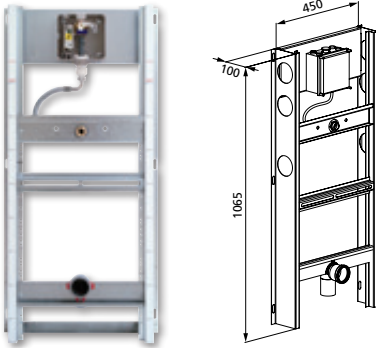
543 171.00
Discontinued

543 111.00
Discontinued

543 112.60

543 110
Discontinued

Kombiset urinal with flush-mounted shell set



For installation in a bricked front-wall
in front of a solid wall

**Complete pre-assembled installation unit for bricking up
made of galvanised steel frame,**

with urinal attachment material,
with waste pipe DN 50,
with electronics or shell set,
with suction siphon,
with urinal connection fittings
without element feet.

Dimensions: W / H / D 450 / 1065 / 100 mm

Not suitable for urinals with moulded suction siphon, e.g.
V&B Omnia Pro #7502 00, #7503 00, #7504 00.

Design

Ref. no.

Installation height 1065 mm

with Burda shell set for infrared
electronic 230 V (matt chrome)
BurdaTronic U-04

543 161.50

with Burda shell set for infrared
electronic 9V (matt chrome)
BurdaTronic U-04

543 162.50

for Keramag Flushcontrol

543 121

for Duravit Ultronic

543 141

5 – 58 BS+

59 – 64 Corner Elements

65 – 80 Kombiset

81 – 86 Flushing Systems

87 – 88 Support Brackets

89 – 111 Plano - X

Flushing Systems for WC

BurdaTronic WC-01

stainless steel



Vandal-proof flush controls for retrofitting or new installation for the public and private sector.

Suitable for flush-mounted cisterns Burda K610 or Geberit UP-SPK Sigma.

Flushing is triggered fully automatically by an infrared sensor and also by hand, contact-free at all times.

When using the 230 V version, an optional intermediate flush can take place using a button integrated in the support handle.

suitable for following Burda articles:

K610: 210003, 211017, 211021, 211053, 211419, 211500, 211505, 211555, 211945, 211945, 400017, 510003, 610001, 611101, 611131, 611212, 611231, 611411, WC13-35-23, WC22-35-23, WC33-35-21, WC3-35-21, WC5-35-26, WC5-35-27

UP-SPK Sigma: 211088, 211090, 211121, 211148, 211600, 211606, 211666, 220088, 220099, 400018, 511109, 511116, 511118, WC13-12-23, WC22-12-23, WC3-12-21, WC33-12-21, WC5-12-26, WC5-12-27

Design

Battery operation:

BurdaTronic WC-01, 6V K610
for flush-mounted cistern K610

BurdaTronic WC-01, 6V Sigma
for Geberit UP-SPK Sigma

Mains operated:

BurdaTronic WC-01, 12V K610
with 230 V mains adapter
for flush-mounted cistern K610

BurdaTronic WC-01, 12V Sigma
with 230 V mains adapter
for Geberit UP-SPK Sigma

Ref. no.

T640.60

Discontinued

T645.60

Discontinued

T642.60

Discontinued

T647.60

Discontinued

BurdaTronic W-01



BurdaTronic W-01

Vandal-proof, economical with stylish clear design.

The BurdaTronic W-01 all-metal fitting with high quality chrome finish and lockable jet regulator is vandal-proof and is suitable for public sanitary facilities as well as private bathrooms.

Compared to a conventional fitting, the BurdaTronic W-01 reduces water consumption. This is ensured by, besides the IR triggering, a flow rate limiter, which reduces the water flow to a maximum of 6 litres per minute, and a delivery stop adjustable between 30 to 180 seconds via the supplied BurdaTronic W-01 remote control in case of an accidental or deliberate continuous operation.

The replacement of a conventional fitting is a cinch, since the BurdaTronic W-01 fitting is offered as mains and battery version for pre-mixed water and cold/hot water respectively.

Operations

- Programmable with supplied W-01 remote control
- Detection, automatic
- Vandal-proof
- Flushing, as long as the user is within the response range
- Early cut off time: 1 sec., adjustable 0.5 – 10 sec.
- Delivery stop: 60 sec., adjustable 60 – 180 sec.
- Sanitary flushing, adjustable 30 – 120 sec.
- Periodic sanitary flushing, intervals of 1 x 24 h to 5 x 24 h
- Cleaning stop, duration 60 sec.

Design

Mains operated: 230 Volt

BurdaTronic W-01
Premixed

Z56V

BurdaTronic W-01
Hot/Cold water

Z57V

BurdaTronic W-01
Low pressure

on request

Battery operation: 6 Volt

BurdaTronic W-01
Premixed

Z56B

BurdaTronic W-01
Hot/Cold water

Z57B

BurdaTronic W-01
Low pressure

on request

Flushing Systems for urinals

Burda FLOWTRONIK



230 V final assembly set

suitable for following Burda articles:
214800, 540000, 646000, 646001

Design

Ref. no.

214 854

BurdaTronic U-01



BurdaTronic U-01, opto-electronics, 230 V final assembly set

suitable for following Burda articles:
214994, 543110, 646535, UR3-57-59 M

Design

**BurdaTronic U-01,
opto-electronics
230 V stainless steel brushed**

Ref. no.

Z77

Discontinued

BurdaTronic U-02



BurdaTronic U-02, opto-electronics,
9 V final assembly set

suitable for following Burda articles:
214994, 543110, 646535, UR3-57-59 M

Design

BurdaTronic U-02,
opto-electronics,
9 V stainless steel brushed
Battery operation (incl. 9V batteries)

Ref. no.

Z96

Discontinued

5 – 58 BS+

59 – 64 Corner Elements

65 – 80 Kombiset

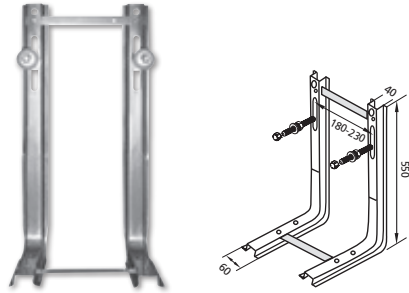
81 – 86 Flushing Systems

87 – 88 Support Brackets

89 – 111 Plano - X

Support Brackets

Support bracket made of galvanised gusset plates



For installation in a bricked front-wall
in front of a solid wall

Made of galvanised gusset plates.

Dimensions: W / H / D 60 / 550 / 310

Ausführung

TG 630 v
3 mm plate thickness

TG 330 v
3 mm plate thickness

Art.-Nr.

110 028

110 042

5 – 58 BS+

59 – 64 Corner Elements

65 – 80 Kombiset

81 – 86 Flushing Systems

87 – 88 Support Brackets

89 – 111 Plano - X

Burda Planopor shower elements tileable to floor level

1.1 Properties

Planopor shower elements are used anywhere where showers tiled to floor level are preferred to conventional shower trays. Embedded flush in the screed and then tiled, the elements with impermeable coating create an easily produced basis for reliably draining floor-level showers. Be they in barrier-free buildings or in a private wellness spa, in a new build or a renovation project, showers tiled at floor level are in fashion, as they offer a series of interesting benefits:

Barrier-free elegance

A shower area tiled to floor level always creates a modern, generous atmosphere – an environment from which you hope to get an everyday feeling of well-being and relaxation.

Easy cleaning

A shower tiled to the floor without lots of corners and edges can be quickly wiped down and is therefore easy to keep clean. The drain grate and siphon element can be taken out for easy cleaning. Floor-level showers are simply a thing of cleanliness.

Barrier-free access

Barrier-free access to a floor-level shower area is not only an expression of modern elegance but also a plus in terms of living quality – certainly your whole life long.



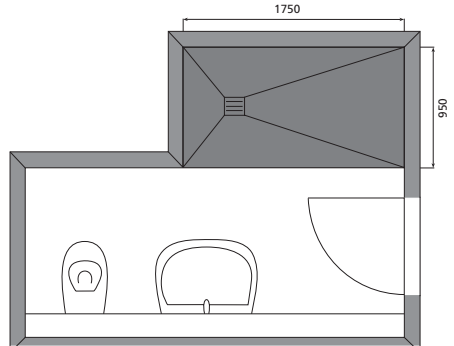
Variable shape and size

1.2 Technical Details

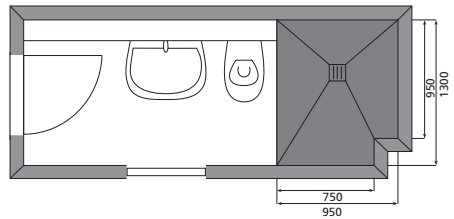
Unlike conventional shower trays, a shower tiled to floor level is not tied to standard dimensions. The shape and size of showers tiled to floor level can be adapted to niches, brickwork, shafts and even quirky floor plans. The position and direction of the outlet can also be freely chosen.

1.3 Benefits

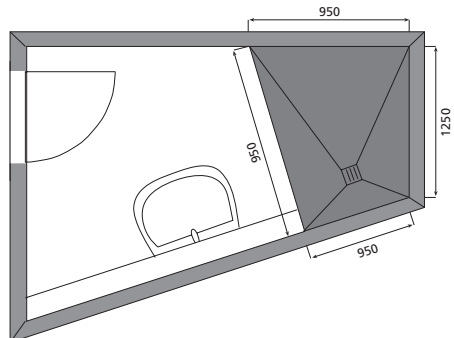
Shower elements tiled to floor level fit in niches



Shower elements tiled to floor level fit round chimneys and shafts



Shower elements tiled to floor level fit in any floor plan



Building requirements

2.1 Requirement

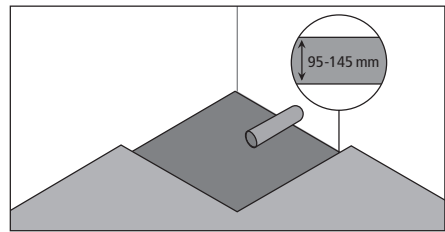
A constructional requirement for installing a shower area tiled to floor level is an adequate screed thickness. This is required so that the shower element and drain can be embedded flush in the floor and then be continuously tiled.

The installation dimensions of Planopor shower elements are adapted to a screed depth of around 100–145mm, which is typical these days, so that Planopor can be used almost anywhere, both in new builds and renovation projects.

What screed thickness is actually needed to embed the shower element flush in the floor depends on the building requirements in question.

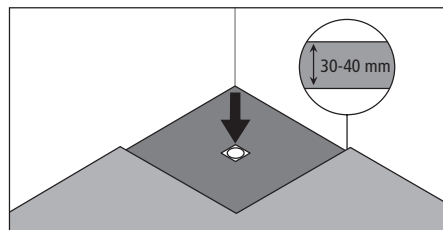
2.2 Horizontal outlet

Where a side outlet to the downpipe in the wall is required, a recess of only 125mm in the screed is enough to be able to embed the shower element and the substructure element flush with the drain.



2.3 Vertical outlet

Where a vertical outlet can be led directly down through the ceiling, no substructure element is required. A screed depth of just 45mm is enough here to embed the shower element flush in the screed.



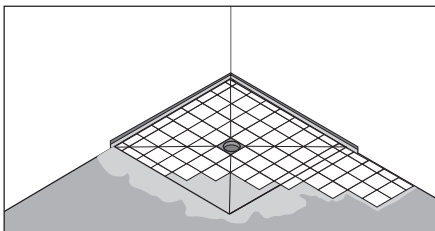
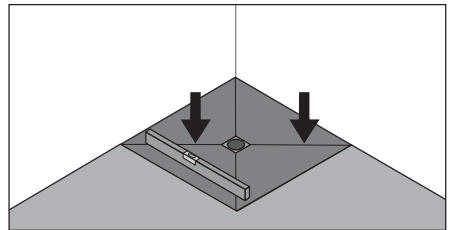
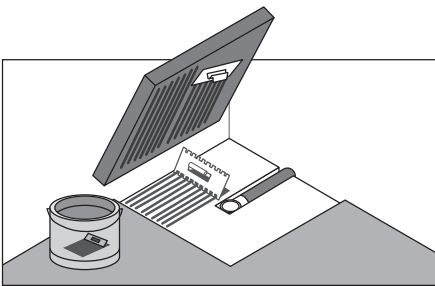
Layout

2.4 Benefits

The completely pre-assembled and ready-to-tile shower elements from Burda make it possible to produce floor-level shower areas without any elaborate preparation. The shower elements are simply embedded flush in the screed, fastened to the subfloor with tile adhesive and then tiled by the tradesman carrying out the work. Manual modelling of the outlet angle, awkwardly sealing in the drain and subsequently sealing the surface are not necessary in this case. The elements already come from the factory with a ready-made drainage slope, a pre-assembled and sealed in drain chamber and an impermeable and coated surface ready for tiling.

2.5 Installation

The impermeable shower element is embedded flush in the screed, glued and then tiled level with the floor.

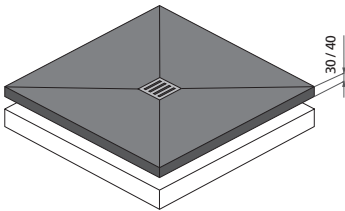


Plano-X shower elements tileable to floor level

Facts and figures

3.1 Requirement

The Plano-x standard range includes a series of popular shower formats and sizes, adapted to the size of standard shower partitions. Besides that, Plano-x also allows individual shower areas to be fitted precisely in room niches, against projecting walls and even in quirky floor plans. Turning special requests quickly and reliably into reality is not the exception at Burda but an everyday occurrence. Talk to your fitter or your wholesaler and in your next bathroom have your dream shower tiled to floor level installed in the dimensions you want.

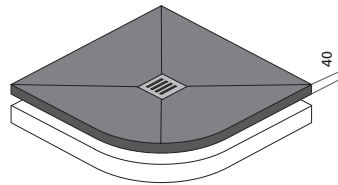


Standard Planopor shower elements
Square

Scope of delivery:
with shower element
with floor drain DIN EN 1253
with substructure element (optional)
with standard drain grate

800 mm x 800 mm
900 mm x 900 mm
1000 mm x 1000 mm
1200 mm x 1200 mm
1300 mm x 1300 mm
1400 mm x 1400 mm
1500 mm x 1500 mm

Suitable for all standard shower partitions



Standard Planopor shower elements
Quadrant (standard: r = 550 mm)

Scope of delivery:
with shower element
with floor drain DIN EN 1253
with substructure element (optional)
with standard drain grate

900 mm x 900 mm
1000 mm x 1000 mm

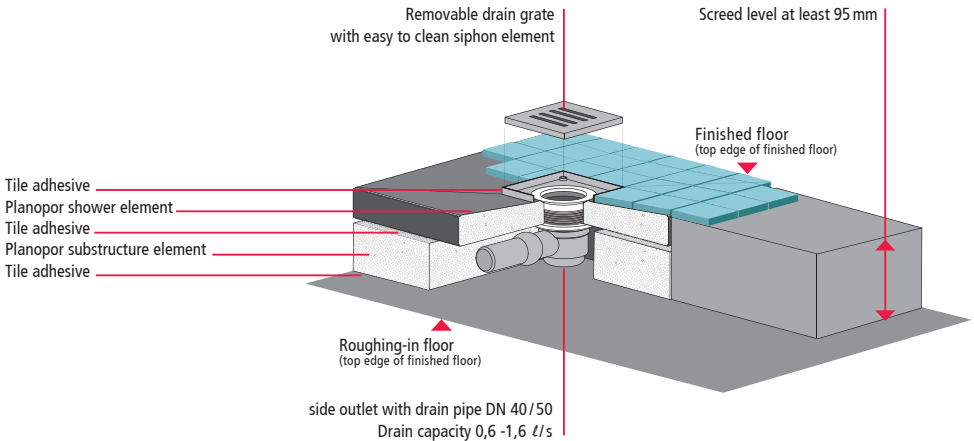
Suitable for all standard shower partitions

3.2 Accessories

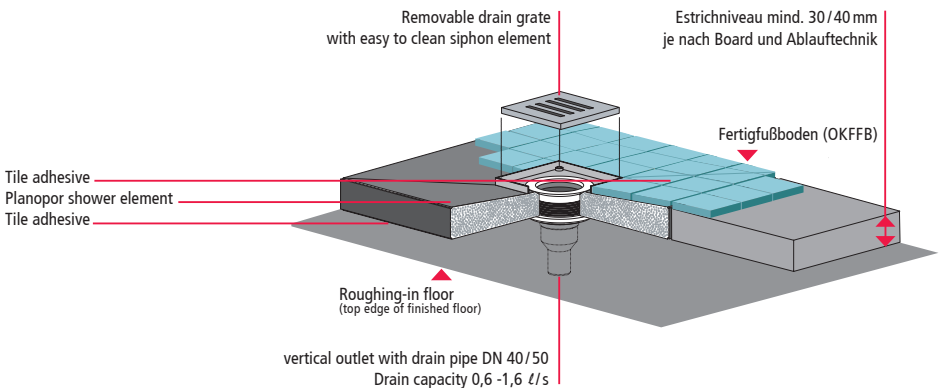
- The complete assembly materials such as sealing compound and sealing tapes plus internal and external corners
- Level compensating elements for adjusting the height of the substructure to the screed level
- Frame tops for the floor drain (when using thicker tiles or a natural stone facing)

Layout Planopor

Horizontal outlet

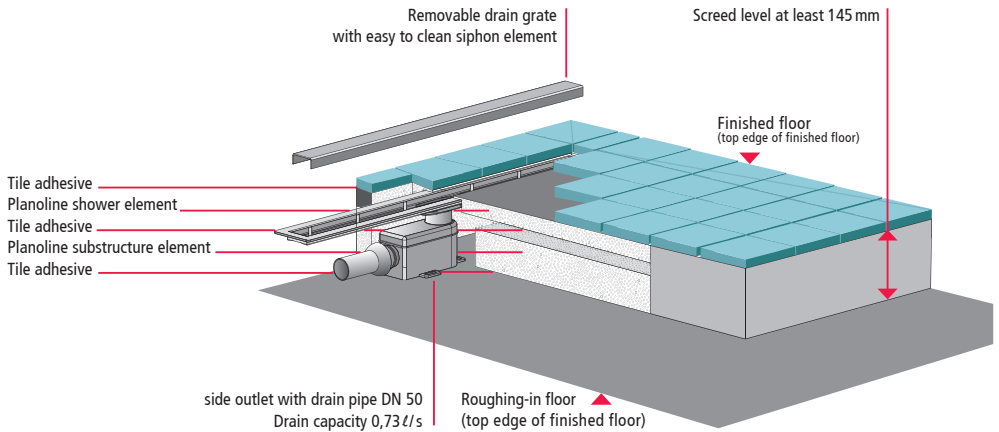


Vertical outlet



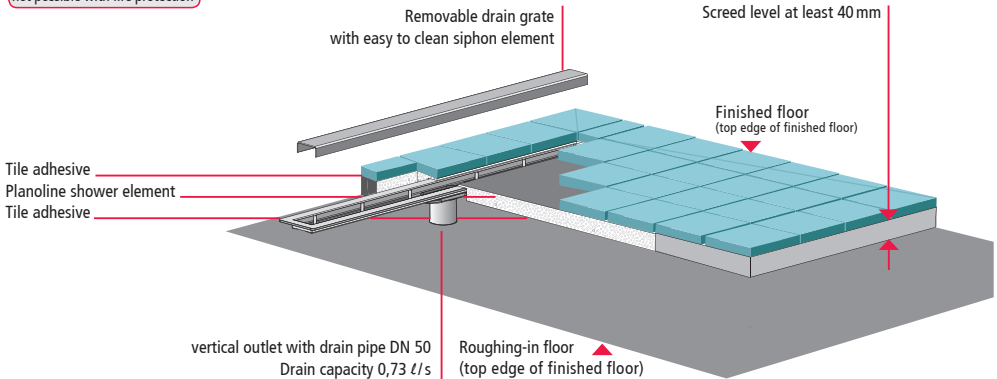
Layout Planoline

Horizontal outlet

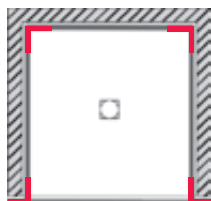


Vertical outlet

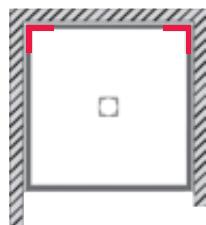
not possible with fire protection



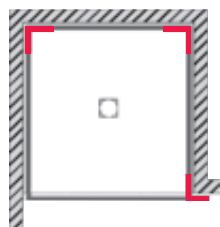
Installation situations



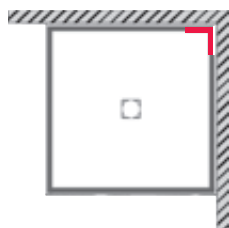
| Description | Unit | Ref. no. |
|---|-------|----------|
| 2 Sealing corners inside | Piece | 830 801 |
| 2 Sealing corners outside | Piece | 830 802 |
| Sealing tape | 5 m | 830 800 |
| Sealing compound | 5 kg | 830 803 |
| Flexible / tile adhesive (by the builder) | - | - |



| | | |
|---|-------|---------|
| 2 Sealing corners inside | Piece | 830 801 |
| Sealing tape | 5 m | 830 800 |
| Sealing tape | 5 kg | 830 803 |
| Flexible / tile adhesive (by the builder) | - | - |



| | | |
|---|-------|---------|
| 2 Sealing corners inside | Piece | 830 801 |
| 1 Sealing corner outside | Piece | 830 802 |
| Sealing tape | 5 m | 830 800 |
| Sealing compound | 5 kg | 830 803 |
| Flexible / tile adhesive (by the builder) | - | - |



| | | |
|---|-------|---------|
| 1 Sealing corner inside | Piece | 830 801 |
| Sealing tape | 5 m | 830 800 |
| Sealing compound | 5 kg | 830 803 |
| Flexible / tile adhesive (by the builder) | - | - |

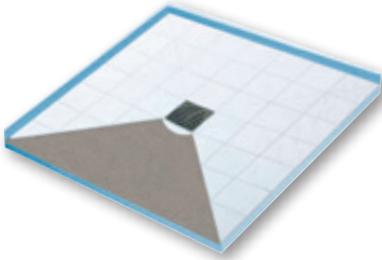
 Brickwork



Sealing corners inside/outside

 Sealing tape

Planopor shower element type Q



Subfloor element for floor-level showers

Planopor shower elements are designed for a ceramic facing and are used anywhere where building regulations demand barrier-free construction, e.g. in old people's homes, flats for disabled people etc. but also where the comfort and aesthetics of modern building methods are desired.

Made of Styrofoam, two-side special coating including edge insulation strip on the reverse side with integrated incline of about 2%. Drainage capacity 0.7ℓ/s

Scope of delivery:

- with top panel
- with floor drain DN 50
- with standard grate

Design grates and other drainage systems on request

e. g. ACO, Kessel, Dallmer, Hget

Special sizes order form see Page 110 / 111.

Special sizes and fabrications with eccentric drains need a price request.

Note for barrier-free construction:

- when using wheelchairs, the tiles must have a minimum size of 5 x 5 cm.
- in the transition area (shower element / room screed), motion profiles need to be laid.
- in the area adjoining the motion profile and around the outlet frame, permanently elastic joints must be created.

Design

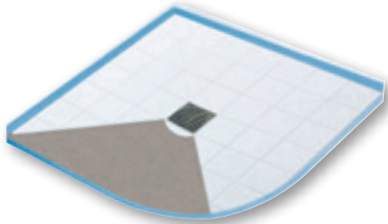
| |
|---------------------|
| 800 x 800 x 40 mm |
| 900 x 900 x 40 mm |
| 1000 x 1000 x 40 mm |
| 1200 x 1200 x 40 mm |
| 1300 x 1300 x 40 mm |
| 1400 x 1400 x 40 mm |
| 1500 x 1500 x 40 mm |

Ref. no.

| |
|------------|
| 840 000.xx |
| 840 001.xx |
| 840 002.xx |
| 840 003.xx |
| 840 004.xx |
| 840 005.xx |
| 840 006.xx |

01 = vertical
00 = horizontal

Planopor shower element type V



Subfloor element for floor-level showers

Planopor shower elements are designed for a ceramic facing and are used anywhere where building regulations demand barrier-free construction, e.g. in old people's homes, flats for disabled people etc. but also where the comfort and aesthetics of modern building methods are desired.

Made of Styrofoam, two-side special coating including edge insulation strip on the reverse side with integrated incline of about 2%. Drainage capacity 0.7l/s

Scope of delivery:

- with top panel (radius 550)
- with floor drain DN 50
- with standard grate

Design grates and other drainage systems on request

e. g. ACO, Kessel, Dallmer, Hget

Special sizes order form see Page 110 / 111.

Special sizes and fabrications with eccentric drains need a price request.

Note for barrier-free construction:

- when using wheelchairs, the tiles must have a minimum size of 5 x 5 cm.
- in the transition area (shower element / room screed), motion profiles need to be laid.
- in the area adjoining the motion profile and around the outlet frame, permanently elastic joints must be created.

Design

900 x 900 x 40 mm

1000 x 1000 x 40 mm

01 = vertical

00 = horizontal

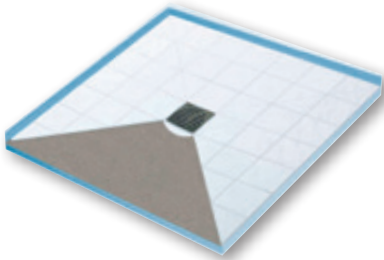
Ref. no.

840 020.xx

840 021.xx

Planopor shower elements

Planopor Basic / Planopor Firestop shower element type Q



Subfloor element for floor-level showers

Planopor shower elements are designed for a ceramic facing and are used anywhere where building regulations demand barrier-free construction, e.g. in old people's homes, flats for disabled people etc. but also where the comfort and aesthetics of modern building methods are desired.

Made of Styrofoam, two-side special coating including edge insulation strip on the reverse side with integrated incline of about 2%. Drainage capacity 0.7ℓ/s

Scope of delivery:

- with top panel
- with floor drain DN 50
- with standard grate

Design grates and other drainage systems on request

e. g. ACO, Kessel, Dallmer, Hget

For fire protection model floor drain DN 50 vertical

Special sizes order form see Page 110 / 111.

Special sizes and fabrications with eccentric drains need a price request.

Note for barrier-free construction:

- when using wheelchairs, the tiles must have a minimum size of 5 x 5 cm.
- in the transition area (shower element / room screed), motion profiles need to be laid.
- in the area adjoining the motion profile and around the outlet frame, permanently elastic joints must be created.

Design

| |
|---------------------|
| 800 x 800 x 30 mm |
| 900 x 900 x 30 mm |
| 1000 x 1000 x 30 mm |
| 1200 x 1200 x 30 mm |
| 1300 x 1300 x 30 mm |
| 1400 x 1400 x 30 mm |
| 1500 x 1500 x 30 mm |

Ref. no.

| |
|------------|
| 840 100.xx |
| 840 101.xx |
| 840 102.xx |
| 840 103.xx |
| 840 107.xx |
| 840 108.xx |
| 840 109.xx |

Firestop Standard drain Dallmer

| |
|---------------------|
| 800 x 800 x 30 mm |
| 900 x 900 x 30 mm |
| 1000 x 1000 x 30 mm |
| 1200 x 1200 x 30 mm |
| 1300 x 1300 x 30 mm |
| 1400 x 1400 x 30 mm |
| 1500 x 1500 x 30 mm |

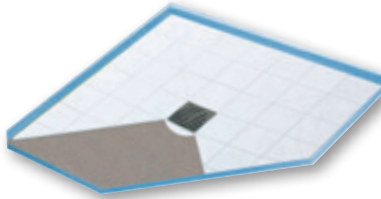
| |
|------------|
| 840 044.01 |
| 840 045.01 |
| 840 046.01 |
| 840 047.01 |
| 840 048.01 |
| 840 049.01 |
| 840 050.01 |

01 = vertical
00 = horizontal

Planopor pentagon / special sizes

**OUR
SPECIALITY**

Delivery time
approximately
7 work days



Due to the large variety of types, there is no standard Planopor pentagon element. An individual element can be ordered using the special sizes order form on Page 110 / 111.

It is worth asking for a price, as we calculate special orders at particularly reasonable inclusive price per sqm.

Design grates and other drainage systems on request
e.g. ACO, Kessel, Dallmer, Hget

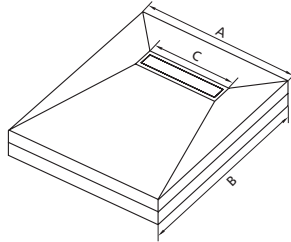
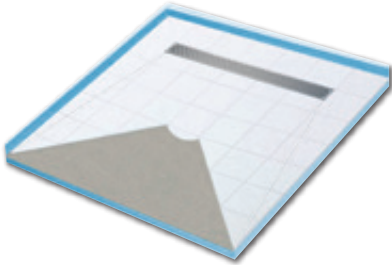
For fire protection model floor drain DN 50 vertical

Design

Ref. no.

Planoline shower elements

Planoline, the floor-level shower element with shower channel



Barrier-free hard foam shower element 45 mm with four-sided slope and linear drain

Planoline shower elements are designed for a ceramic facing and are used anywhere where building regulations demand barrier-free construction, e.g. in old people's homes, flats for disabled people etc. but also where the comfort and aesthetics of modern building methods are desired.

Made of Styrofoam, two-side special coating including edge insulation strip on the reverse side with integrated incline of about 2%. Drainage capacity 0.7ℓ/s

Scope of delivery:

- with built-in shower element (d=40 mm)
- with floor drain
- with standard grate

Design grates and other drainage systems on request

Special sizes order form see Page 110 / 111.
Summary of channel lengths on the special sizes order form.
Special sizes and fabrications with eccentric drains need a price request.

Note for barrier-free construction:

- when using wheelchairs, the tiles must have a minimum size of 5 x 5 cm.
- in the transition area (shower element / room screed), motion profiles need to be laid.
- in the area adjoining the motion profile and around the outlet frame, permanently elastic joints must be created.

Design

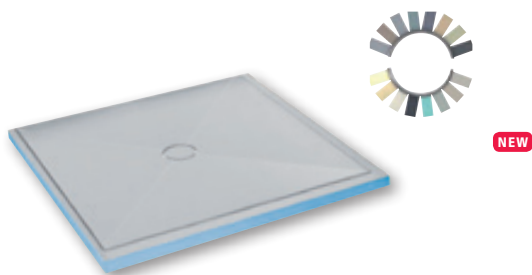
Ref. no.

Horizontal outlet/ Vertical outlet DN50

| A | B | C | |
|--------|--------|--------|------------|
| 800 x | 800 x | 700mm | 840 200.xx |
| 900 x | 900 x | 700mm | 840 201.xx |
| 1000 x | 1000 x | 800mm | 840 202.xx |
| 1200 x | 1200 x | 900mm | 840 203.xx |
| 1300 x | 1300 x | 1100mm | 840 204.xx |

01 = vertical
00 = horizontal

Planotech shower element type Q



Shower element with exclusive ceramic surface

The elegant, skin-friendly ceramic surfaces have outstanding scratch resistance of MOHS hardness 8. This is only surpassed by the hardness of a diamond. A wide range of colours and finishes allows plenty of room for customisation. In combination with the same ceramic as a large surface wall element, give highlights to your bathroom.

Made of Styrofoam, two-side special coating including edge insulation strip on the reverse side with integrated incline of about 2%. Drainage capacity 0.7 l/s

Scope of delivery:
with top panel
with floor drain DN 50
with standard grate

Special sizes order form see Page 110 / 111.

Special sizes and fabrications with eccentric drains need a price request.

Note for barrier-free construction:

- Suitable for barrier-free use (see installation instructions)
- in the transition area (shower element / room screed), motion profiles need to be laid.
- in the area adjoining the motion profile and around the outlet frame, permanently elastic joints must be created.

Design

858 x 858 x 48 mm

958 x 958 x 48 mm

1058 x 1058 x 48 mm

1258 x 1258 x 48 mm

01 = vertical
00 = horizontal

Set edge insulation strip and sealing tape

Standard colours
snow, oaks fossil, buxy amande, buxy cendre

optional:
via tornabuoni, buxy caramel, pietra de irlanda, pietra chiara, smoke, noisette sand, bluestone, night, steel, via condotti, via monte-napoleone

Fire protection drain vertical, on request

Ref. no.

840 066.xx

840 067.xx

840 068.xx

840 069.xx

840 091

Planolife shower element



NEW

Shower surface of the shower element with multiple colours in MineRAL

The pore-deep mineral casting surface is offered in 4 standard shapes and 12 standard sizes.

Optionally, we provide a slip resistant surface according to class B. We also offer Planolife in every RAL colour. This diversity facilitates the planning and technical design of shower areas in private households, wellness facilities, hotels, clinics, rehabilitation centres and retirement homes as well as in public baths.

With integrated incline of approx. 2 %.

Scope of delivery:

Without cover hood

Without floor drain

Without protective tape for wall sealing

Enquire for prices for special sizes up to 1800 x 1000 as well as alternative surfaces and colours.

Note for barrier-free construction:

- Suitable for barrier-free use (see installation instructions)
- in the transition area (shower element / room screed), motion profiles need to be laid.
- in the area adjoining the motion profile and around the outlet frame, permanently elastic joints must be created.

Design

Ref. no.

Square

800 x 800 x 33 mm

804 308.00

900 x 900 x 33 mm

804 309.00

1000 x 1000 x 33 mm

804 310.00

1200 x 1200 x 33 mm

804 311.00

1400 x 1400 x 33 mm

804 312.00

Rectangle

900 x 800 x 33 mm

804 313.00

1000 x 800 x 33 mm

804 314.00

1200 x 800 x 33 mm

804 315.00

Pentagon

900 x 900 x 33 mm

804 316.00

1000 x 1000 x 33 mm

804 317.00

Quadrant (R 550)

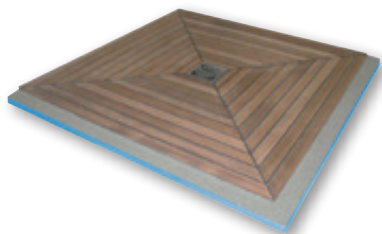
900 x 900 x 33 mm

804 318.00

1000 x 1000 x 33 mm

804 319.00

Planowood shower element type Q



NEW

Shower element with a combination of nature and technology

The popular natural wood is now finally available as a shower area. Known as luxury deck covering in yacht building for decades, teak wood is now being used as shower board due to its high natural oil content. Of course, it comes with a special seal of distinctively associated teak only from plantations with sustainable forestry. Choose between four different surfaces-laying patterns. The surface is slip-resistant and absolutely free of splinters.

Made of Styrofoam, two-side special coating including edge insulation strip on the reverse side with integrated incline of about 2%. Drainage capacity 0.7 l/s

Scope of delivery:
with top panel
with floor drain DN 50
with standard grate

Design grates and other drainage systems on request

Special sizes order form see Page 110 / 111.
Special sizes and fabrications with eccentric drains need a price request.

Note for barrier-free construction:

- Suitable for barrier-free use (see installation instructions)
- in the transition area (shower element / room screed), motion profiles need to be laid.
- in the area adjoining the motion profile and around the outlet frame, permanently elastic joints must be created.

Design

| |
|---------------------|
| 858 x 858 x 48 mm |
| 958 x 958 x 48 mm |
| 1058 x 1058 x 48 mm |
| 1258 x 1258 x 48 mm |

Ref. no.

| |
|------------|
| 840 079.xx |
| 840 080.xx |
| 840 081.xx |
| 840 082.xx |

01 = vertical
00 = horizontal

Set edge insulation strip
and sealing tape

840 091

With channel on request

Laying pattern



version I (standard)



version 0

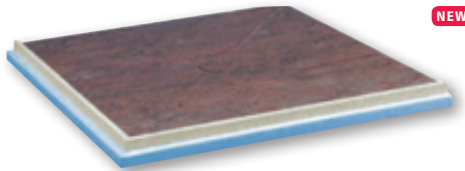


version +



version X

Planostone type Q



Shower element with luxury shower areas made of natural stone

Genuine natural stone from four different marble and six different granite variants, is pure luxury. Each board is unique due to the natural stone features. Even the drain cover is covered with natural stone. Three construction types are available: Compact - means a fully integrable elegance board with 20 mm granite / marble surface and a reinforced base. The drain system is provided with suitable natural stone surface. Base - the reinforced base has a two-side special coating to accommodate granite / marble up to max. 20 mm on site. The drain cover is prepared at the factory for on-site accommodation of the natural stone. Natural stone - the reinforced base has a two-side special coating to accommodate granite / marble up to max. 30 mm on site. The drain with a stainless steel grate in the format 100 x 100 mm is already sealed and pre-assembled at the factory.

Made of Styrofoam, two-side special coating including edge insulation strip on the reverse side with integrated incline of about 2%. Drainage capacity 0.7 l/s

Scope of delivery:

- with top panel
- with floor drain DN 50
- with standard grate

Special sizes order form see Page 110 / 111.

Special sizes and fabrications with eccentric drains need a price request.

Note for barrier-free construction:

- Suitable for barrier-free use (see installation instructions)
- in the transition area (shower element / room screed), motion profiles need to be laid.
- in the area adjoining the motion profile and around the outlet frame, permanently elastic joints must be created.

Design

858 x 858 x 60 mm

958 x 958 x 60 mm

1058 x 1058 x 60 mm

1258 x 1258 x 60 mm

01 = vertical

00 = horizontal

Set edge insulation strip and sealing tape

Ref. no.

840 083.xx

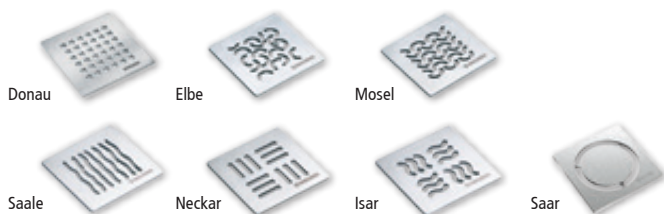
840 084.xx

840 085.xx

840 086.xx

840 091

Design grate



spot drainage for floor-level shower elements

Our design grates are available in high quality stainless steel and in various elegant design options.

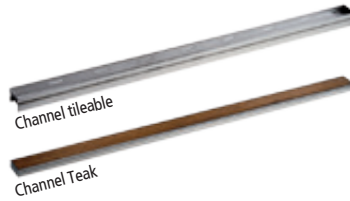
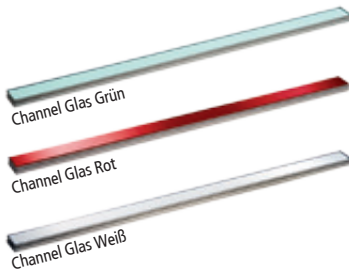
Design

Ref. no.

| | |
|--------|------------|
| Donau | 800 818.00 |
| Elbe | 800 818.01 |
| Mosel | 800 818.02 |
| Saale | 800 818.03 |
| Neckar | 800 818.04 |
| Isar | 800 818.05 |
| Saar | 800 818.06 |

Design channel covers

Design channel covers



Channel covers for floor-level shower elements

Our design channel covers are available in high quality stainless steel, glass or wood and in various elegant design options.

| Design | Ref. no. | |
|---|----------|------------|
| Channel tileable | 700 mm | 800 830.00 |
| | 800 mm | 800 831.00 |
| | 900 mm | 800 832.00 |
| | 1100 mm | 800 833.00 |
| Channel glass red | 700 mm | 800 830.01 |
| | 800 mm | 800 831.01 |
| | 900 mm | 800 832.01 |
| | 1100 mm | 800 833.01 |
| Channel glass white | 700 mm | 800 830.02 |
| | 800 mm | 800 831.02 |
| | 900 mm | 800 832.02 |
| | 1100 mm | 800 833.02 |
| Channel glass green | 700 mm | 800 830.03 |
| | 800 mm | 800 831.03 |
| | 900 mm | 800 832.03 |
| | 1100 mm | 800 833.03 |
| Channel teak | 700 mm | 800 830.04 |
| | 800 mm | 800 831.04 |
| | 900 mm | 800 832.04 |
| | 1100 mm | 800 833.04 |
| Planoline natural stone set / service key | | |
| Adjustable base to compensate for natural stone tiles, depending on the channel cover | 800 819 | |
| Service key for easy removal of the channel cover | 800 800 | |

Planoline natural stone set / service key

Adjustable base to compensate for natural stone tiles, depending on the channel cover

Service key for easy removal of the channel cover

accessories

Planopor sealing tape

to create watertight connections under tiles,
to bridge joints and transitions in the wall / floor area
75 mm facing + 2 x 24 mm embedded flange

Design



Roll of 5 m

Ref. no.

830 800

Planopor sealing tape inside corner

to create watertight connections under tiles,
to bridge joints and transitions in the wall / floor area
75 mm facing + 2 x 24 mm embedded flange



830 801

Planopor sealing tape outside corner

to create watertight connections under tiles,
to bridge joints and transitions in the wall / floor area
75 mm facing + 2 x 24 mm embedded flange



830 802

Planopor sealing compound

Ready-to-use, solvent-free sealing compound for elastic, watertight designs according to ZDB leaflet "Alternative sealants" Best suited for seals under tiles and for embedding sealing tapes.

The sealing compound meets ZDB guideline,
damp exposure classes I and II. Consumption: approx. 1.3 kg / m²
Density: approx. 1.5 g / cm³



Eimer à 7,5 kg

830 803

Planopor life board protective tape

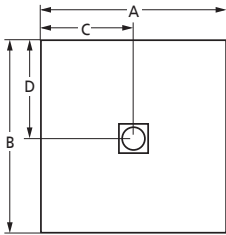
The shower tray tape with double safety. For mounting between the wall and tub in the professional installation of shower trays. The integrated waterproof fleece as a second water barrier behind the silicone joint ensures that no water can penetrate into the wall.



Roll of 3,6 m

830 804

Special orders Planopor



1. Planopor shower elements, Rectangle

Quantity _____ Units

Measurements

A: _____ mm

B: _____ mm

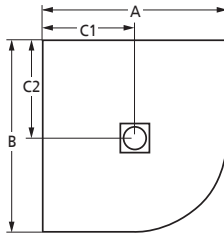
C: _____ mm

D: _____ mm

Drain type horizontal
 vertical

Model with base
 without base

Board thickness Classic – 40 mm
 Renovation of old buildings – 30 mm



2. Planopor shower elements, Quadrant (standard: r = 550 mm)

Quantity _____ Units

Measurements

A: _____ mm

B: _____ mm

C1: _____ mm

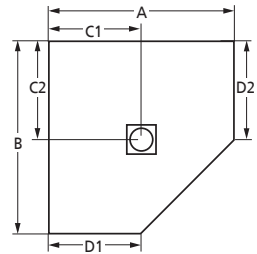
C2: _____ mm

radius: _____ mm

Drain type horizontal
 vertical

Model with base
 without base

Board thickness Classic – 40 mm



3. Planopor shower elements, Pentagon

Quantity _____ Units

Measurements

A: _____ mm

B: _____ mm

C1: _____ mm

C2: _____ mm

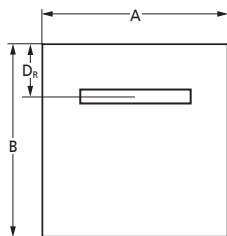
D1: _____ mm

D2: _____ mm

Drain type horizontal
 vertical

Model with base
 without base

Board thickness on request



4. Planoline shower elements

Quantity _____ Units

Measurements

A: _____ mm

B: _____ mm

D_R: _____ mm

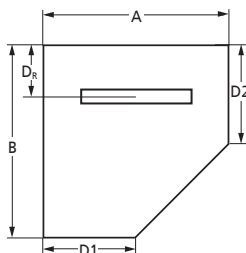
- Channel length 300 mm
 700 mm
 800 mm
 900 mm
 1100 mm

- Drain type horizontal
 vertical

- Model with base
 without base

- Type one-part
 two-part

Board thickness 40 mm



4. Planoline shower elements Pentagon

Quantity _____ Units

Measurements

A: _____ mm

B: _____ mm

D_R: _____ mm

- Channel length 300 mm
 700 mm
 800 mm
 900 mm
 1100 mm

- Drain type horizontal
 vertical

- Model with base
 without base

- Type one-part
 two-part

Board thickness 40 mm



burda

Sanitärtechnik

Herbert Burda GmbH
Krefelder Straße 87
40549 Düsseldorf

tel. +49 211 95001-0
fax. +49 211 500575

www.burda-online.com